



**TRUE FOOD SERVICE EQUIPMENT, INC.**

St. Charles Industrial Center • P.O. Box 970 • O'Fallon, Missouri 63366  
 (636)240-2400 • FAX (636)272-2408 • (800)325-6152 • www.truemfg.com  
 Parts Dept. (800)424-TRUE • Parts Dept. FAX# (636)272-9471

Project Name: \_\_\_\_\_

A/A #

Location: \_\_\_\_\_

Item #: \_\_\_\_\_ Qty: \_\_\_\_\_

SIS #

Model #: \_\_\_\_\_

Model:  
**G4SM-23RL**

**Glass Door Merchandiser:**  
*Glass Four Sided Refrigerator*



**G4SM-23RL**

- ▶ The world's #1 manufacturer of glass door merchandisers.
  - ▶ Oversized, factory balanced, refrigeration system holds 33°F to 38°F (.5°C to 3.3°C).
  - ▶ Exterior - attractive, high luster copper aluminum finish with black trim.
  - ▶ Interior - attractive, NSF approved, white aluminum interior liner with 300 series stainless steel floor.
  - ▶ Rear load design allows access into unit from two sides.
  - ▶ Doors are self closing with a positive seal, torsion type closure system.
  - ▶ "Low-E", double pane thermal glass in cabinet sides and door assemblies. The latest in energy efficient technology.
  - ▶ Illuminated exterior front sign panel.
  - ▶ Entire cabinet structure is foamed-in-place using high density, CFC free, polyurethane insulation.
- Bottom mounted units feature**
- ▶ "No stoop" lower shelf to maximize product visibility
  - ▶ Storage on top of cabinet.
  - ▶ Easily accessible condenser coil for cleaning.

**ROUGH-IN DATA**

Specifications subject to change without notice.

Chart dimensions rounded up to the nearest 1/8" (millimeters rounded up to next whole number).

| Model     | Doors | Capacity<br>(Cu. Ft.)<br>(liters) | Shelves | Cabinet Dimensions<br>(inches)<br>(mm) |                                |                                | HP  | Voltage      | Amps | NEMA<br>Config. | Cord<br>Length<br>(total ft.)<br>(total m) | Crated<br>Weight<br>(lbs.)<br>(kg) |
|-----------|-------|-----------------------------------|---------|--|--------------------------------|--------------------------------|-----|--------------|------|-----------------|--|------------------------------------|
|           |       |                                   |         | L                                      | D†                             | H                              |     |              |      |                 |  |                                    |
| G4SM-23RL | 2     | 23                                | 4       | 27                                     | 32 <sup>1</sup> / <sub>2</sub> | 78 <sup>5</sup> / <sub>8</sub> | 1/2 | 115/60/1     | 10.0 | 5-15P           | 9  | 390                                |
|           |       | 652                               |         | 686                                    | 826                            | 1998                           | 1/2 | 230-240/50/1 | 5.0  | ▲               | 2.74                                       | 177                                |

† Depth does not include 1 1/8" (29 mm) for front and 1 3/8" (35 mm) for rear door handles.

▲ Plug type varies by country.



APPROVALS:

AVAILABLE AT:

Model:

**G4SM-23RL**

**Glass Door Merchandiser:**  
Glass Four Sided Refrigerator



**STANDARD FEATURES**

**DESIGN**

- True's commitment to using the highest quality materials and oversized refrigeration systems provides the user with colder product temperatures, and lower utility costs in a stylish merchandiser that creates a dynamic 360° product display.

**REFRIGERATION SYSTEM**

- Factory engineered, self-contained, capillary tube system using environmentally friendly (CFC free) 134A refrigerant.
- Extra large evaporator coil balanced with higher horsepower compressor and large condenser; maintains cabinet temperatures of 33°F to 38°F (.5°C to 3.3°C).
- Sealed, cast iron, self-lubricating evaporator fan motor and larger fan blades give True merchandisers a more efficient low velocity, high volume airflow design. This unique design insures more consistent, colder holding temperatures and faster recovery in high use situations.
- Bottom mounted condensing unit positioned for easy maintenance; "no stoop" lower shelf maximizes visibility by raising merchandised product to higher level.

**CABINET CONSTRUCTION**

- Exterior - attractive, high luster copper aluminum finish with black trim.
- Low-E, double pane thermal glass sides and door assemblies. The latest in energy efficient technology.
- Interior - attractive, NSF approved, white aluminum interior liner with 300 series stainless steel floor.
- Insulation - entire cabinet structure is foamed-in-place using high density, CFC free, polyurethane insulation.
- Welded, heavy duty galvanized frame rail dipped in rust inhibiting enamel paint for corrosion protection inside and out.

- Frame rail fitted with leg levelers.
- Illuminated exterior front sign panel. Variety of sign options available.

**DOORS**

- "Low-E", double pane thermal glass door assemblies with extruded aluminum frames. The latest in energy efficient technology.
- Each door fitted with 15" (381 mm) long extruded aluminum handle.
- Self closing doors. Positive seal, torsion type closure system.
- Magnetic door gaskets of one piece construction, removable without tools for ease of cleaning.

**SHELVING**

- Four (4) adjustable, heavy duty, black PVC coated wire shelves 23<sup>5</sup>/<sub>8</sub>" L x 20<sup>7</sup>/<sub>8</sub>" D (601 mm x 531 mm). Four (4) chrome plated shelf clips included per shelf.
- Shelf support pilasters made of same material as cabinet interior; shelves are adjustable on 1/2" (13 mm) increments.

**LIGHTING**

- Front lighting system utilizes two (2) full-length, safety shielded fluorescent bulbs for enhanced, shadow-free illumination.
- Cabinet lighting utilizes electronic ballast and T-8 bulbs for brighter illumination, longer bulb life and increased energy efficiency.

**MODEL FEATURES**

- Evaporator is epoxy coated to eliminate the potential of corrosion.
- See our website [www.truemfg.com](http://www.truemfg.com) for latest color and sign offerings.
- Convenient clean-out drain built in cabinet floor.
- Listed under NSF-7 for the storage and/or display of packaged or bottled product.

**ELECTRICAL**

- Unit completely pre-wired at factory and ready for final connection to a 115/60/1 phase - 15 amp dedicated outlet. Cord and plug set included.



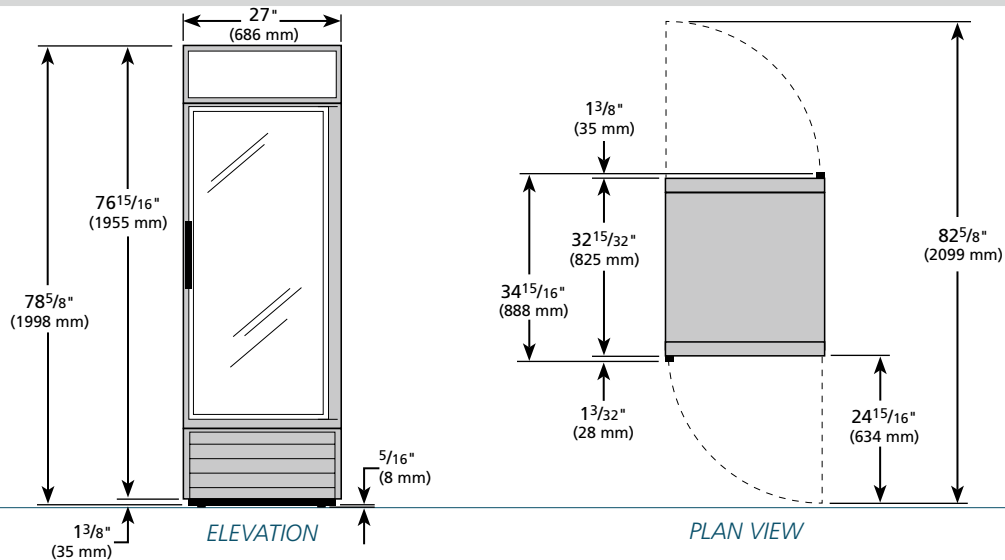
115/60/1  
NEMA-5-15R

**OPTIONAL FEATURES/ACCESSORIES**

Upcharge and lead times may apply.

- 230-240V / 50 Hz.
- Black exterior.
- White exterior.
- Rosewood exterior.
- Black aluminum interior liner.
- 6" (153 mm) standard legs.
- 6" (153 mm) seismic/flanged legs.
- 2 1/2" (64 mm) diameter castors.
- 4" (102 mm) diameter castors.
- Red wine thermostat.
- Chocolate thermostat.
- White wine thermostat.
- Barrel locks.
- Novelty baskets.
- White shelves
- TrueTracII gravity feed organizers.
- True offers five versions of the G4SM-23 with a variety of features to increase the merchandiser's function and versatility, allowing it to be customized to your needs.
- Remote cabinets (condensing units supplied by others; system comes standard with 404A expansion valve and requires R404A refrigerant), consult factory technical service department for BTU information.

**PLAN VIEW**



**WARRANTY**  
One year warranty on all parts and labor and an additional 4 year warranty on compressor. (U.S.A. only)

METRIC DIMENSIONS ROUNDED UP TO THE NEAREST WHOLE MILLIMETER  
SPECIFICATIONS SUBJECT TO CHANGE WITHOUT NOTICE



| Model     | Elevation | Right   | Plan    | 3D      |
|-----------|-----------|---------|---------|---------|
| G4SM-23RL | TFAY10E   | TFAY32S | TFA032P | TFAY323 |

**TRUE FOOD SERVICE EQUIPMENT**