

sodir

# GRIDDLE

CONCEPT

## COUNTERTOP ELECTRIC GRIDDLES

*Compact heavy duty griddles  
designed for controlled cooking  
with high energy efficiency*



- Fine grain smooth cast iron plate assures even cooking
- Each cooking zone is thermostatically controlled up to 570°F
- Lighted on/off switch, pilot and temperature indicator lights for each cooking zone
- Stainless steel base for easy cleaning
- One piece griddle plate with integral back and side splashes
- Full length easily removable grease tray
- Recessed control panel for added safety



### MESA

**PSE-400/1**  
120 V

**PSE-400**  
208/240 V



- \* One cooking zone
- \* Exterior dimensions:  
18"Wx19"Dx8"H

### PLATEAU

**PSE-600/1**  
120 V

**PSE-600**  
208/240 V



- \* Two cooking zones
- \* Exterior dimensions:  
25<sup>1</sup>/<sub>2</sub>"Wx19"Dx8"H

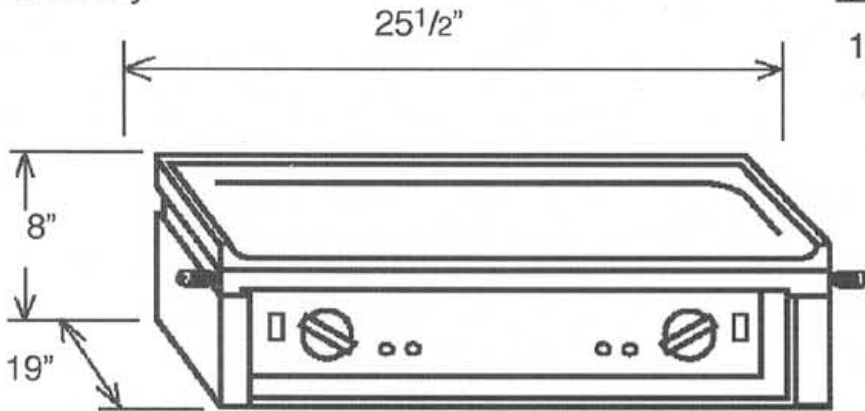
**EQUIPEX** LTD.

765 WESTMINSTER STREET PROVIDENCE, RI 02903  
TEL: (401)273-3300 FAX: (401)273-3328 E-mail: sales@equipex.com  
www.equipex.com

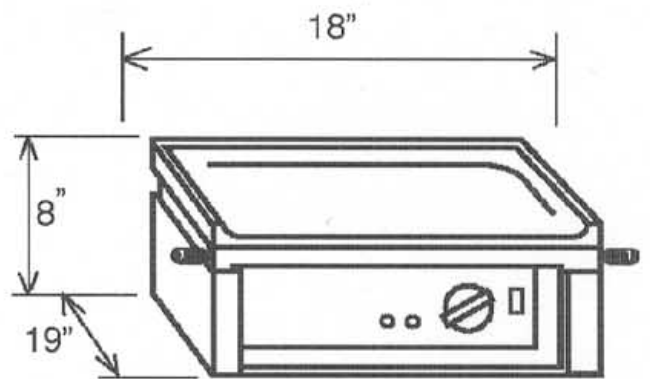
# sodir

## COUNTERTOP ELECTRIC GRIDDLES

Compact heavy duty griddles designed for controlled cooking with high energy efficiency



**PSE-600**



**PSE-400**



INSTALLATION CLEARANCE : 3" EACH SIDE AND BACK

### SPECIFICATIONS

MODEL	ZONES	ELECTRICAL	DIMENSIONS	WORK SURFACE	SHIPPING WEIGHT	NEMA PLUG
PSE-400	1	120V, 1.75KW, 15 Amps 208/240V, 1PH, 2KW, 9/10Amps	18"Wx19"Dx8"H	15"Wx14 1/2"D area: 218sq.in	40 lbs	5-15 P 6-15 P
PSE-600	2	120V, 1.75KW, 15 Amps 208/240V, 1PH, 3.5KW, 15/17Amps	25 1/2"Wx19"Dx8"H	23"Wx14 1/2"D area: 334sq.in	54 lbs	5-15 P 6-20 P

### ESTIMATED GRILLING CAPACITY \* per hour

MODEL	BURGERS	PANCAKES	STEAKS	EGGS
PSE-400	210	170	75	285
PSE-600	320	240	115	435

\* may vary with actual sizes and brands of products

**WARRANTY: Limited one-year parts and labor**

# EQUIPEX LTD.

765 WESTMINSTER STREET PROVIDENCE, RI 02903  
 TEL: (401)273-3300 FAX: (401)273-3328 E-mail: sales@equipex.com  
 www.equipex.com