

# sodir

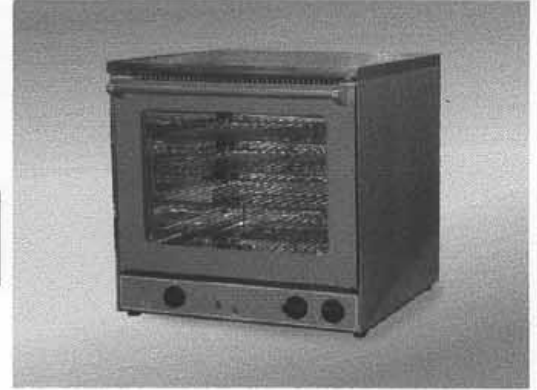
# CONVECTION OVEN

## C O N C E P T

### HALF SIZE CONVECTION OVENS

*From pastries to entrees...*

*Bakes fast and evenly, intensifies and seals in flavor.*



- Stainless steel exterior and interior construction
- Four chrome plated wire shelves
- Rear fan and heating assembly create true convection pattern
- Unique air flow design ensures quick and uniform baking
- Thermostatic control up to 570°F with 120 minute timer
- Cool-to-the-touch double glass door removable for easy cleaning
- Internal light allows for cooking visibility
- Compact footprint

### ARIEL

**FC-60/1**

120 V



**FC-60**

208/240 V

### PINNACLE

**FC-60G/1**

120 V



**FC-60G**

208/240 V

#### CAPACITY:

- (4) wire shelves 13"x18" (included)
- (4) half size sheet pans (12<sup>7</sup>/<sub>8</sub>"x17<sup>3</sup>/<sub>4</sub>"x1")
- (4) two-thirds size steam table pans (13<sup>7</sup>/<sub>8</sub>"x12<sup>3</sup>/<sub>4</sub>"x2<sup>1</sup>/<sub>2</sub>"

**TURBOQUARTZ® FC-60G** features infrared overhead broiling elements - convection and broiling modes operate separately or in combination

# EQUIPEX LTD.

765 WESTMINSTER STREET PROVIDENCE, RI 02903

TEL: (401)273-3300 FAX: (401)273-3328 E-mail: sales@equipex.com

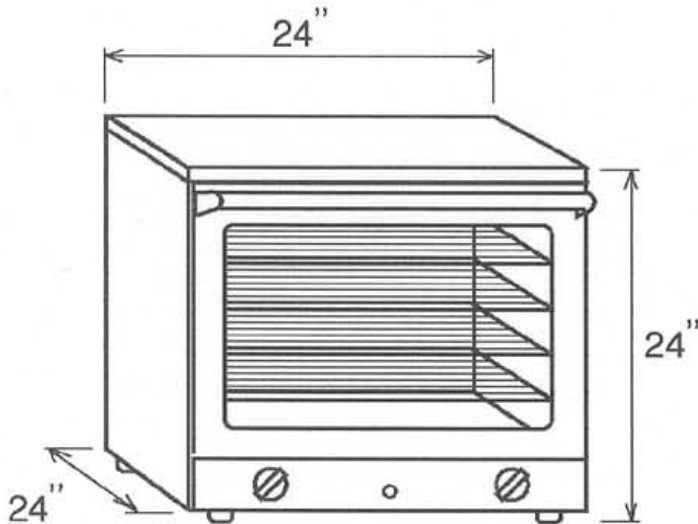
www.equipex.com



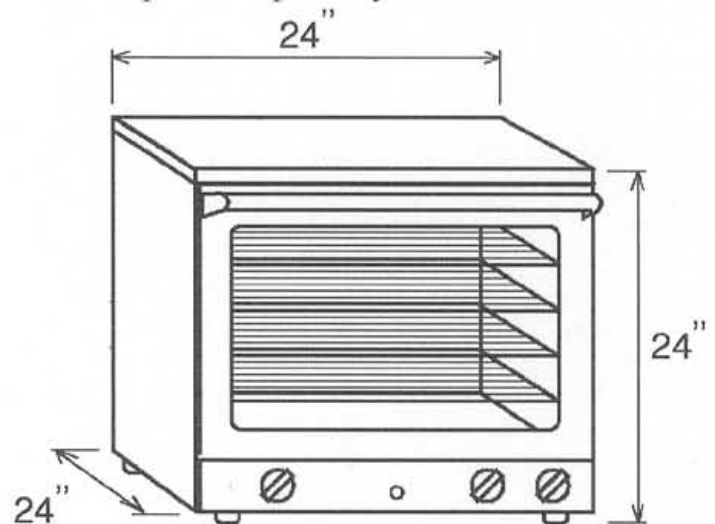
**HALF SIZE CONVECTION OVEN  
MODEL FC-60, FC-60/1**

**HALF SIZE CONVECTION OVEN  
WITH BROILER - TURBOQUARTZ®  
MODEL FC-60G, FC-60G/1**

All features of FC-60 with infrared heating elements overhead - convection and broiling modes operate separately or in combination



**FC-60 / FC-60/1**



**FC-60G / FC-60G/1**

INSTALLATION CLEARANCE: 2" EACH SIDE, TOP AND BACK

**SPECIFICATIONS**

MODEL	ELECTRICAL	EXTERIOR DIMENSIONS	INTERIOR DIMENSIONS	SHIPPING WEIGHT	NEMA PLUG
FC-60	208/240V, 1PH, 3KW, 13/15 Amps	24"Wx24"Dx24"H	18 1/2"Wx14 1/2"x13 1/2"H	85 lbs	6-20P
FC-60/1	120V, 1.7KW, 14 Amps	24"Wx24"Dx24"H	18 1/2"Wx14 1/2"x13 1/2"H	85 lbs	5-15P
FC-60G	208/240V, 1PH, 3KW, 13/15 Amps	24"Wx24"Dx24"H	18 1/2"Wx14 1/2"x12"H	85 lbs	6-20P
FC-60G/1	120V, 1.7KW, 14 Amps	24"Wx24"Dx24"H	18 1/2"Wx14 1/2"x12"H	85 lbs	5-15P

**WARRANTY: Limited one year parts and labor**



765 WESTMINSTER STREET PROVIDENCE, RI 02903  
TEL: (401)273-3300 FAX: (401)273-3328 E-mail: sales@equipex.com  
www.equipex.com