



GO-36/2, GO-36

COOK & HOLD OVENS

Stacked ovens optimize space, increase volume and versatility



GO-36/2

Microprocessor time/temperature ensures accurate cook cycles

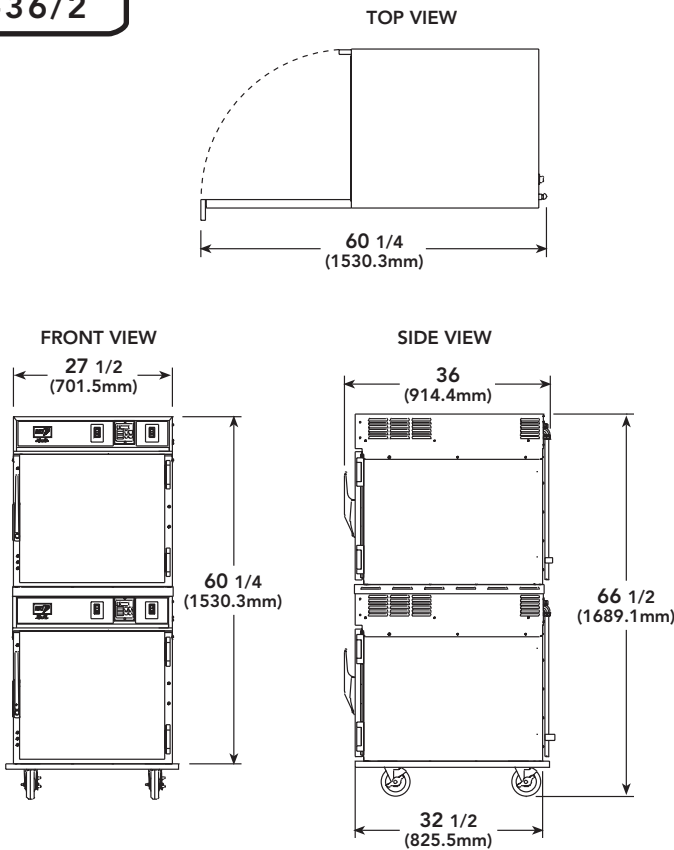


GO-36

BKI's Whisperflo® ovens ensure optimal cooking conditions across a broad spectrum for moist and tender food cooked to perfection. Designed to cook at low and high temperatures and programmable to automatically shift into a 'hold' mode after a cook cycle, meats, poultry and vegetables can be kept hot up to 24 hours with Whisperflo®. Extreme versatility so that at the flip of a switch, cookies, breads and biscuits, to name a few, can bake and brown similar to a convection oven.



GO-36/2



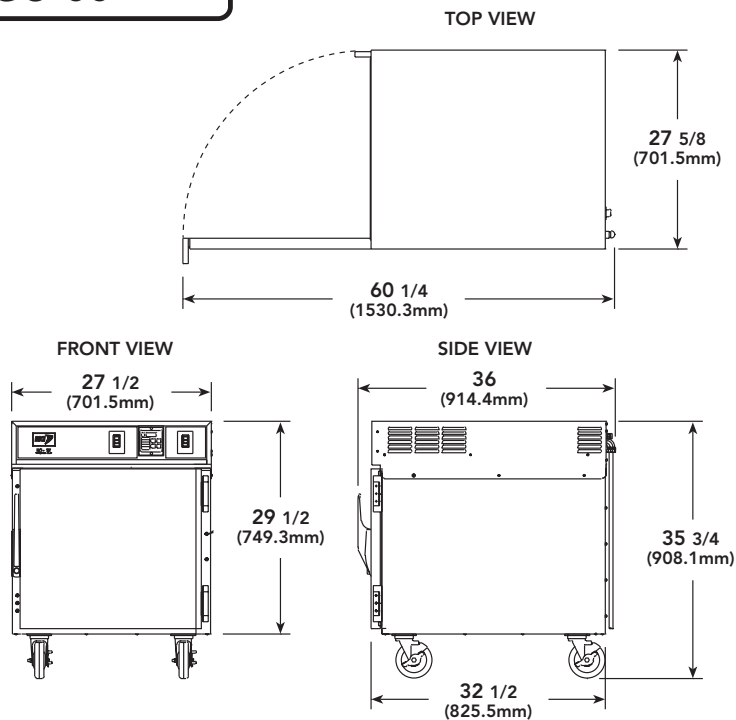
ELECTRICAL SPECIFICATIONS

Voltage	208	240
Phase	1	1
Wires	2	2
Amps	16.5	19
Breaker	20	30
kW	3.4	4.6

DIMENSIONS

Height	66 1/2" (1689.1 mm)
Width	27 1/2" (701.5 mm)
Depth	36" (914.4 mm)
Floor Space	6.9 sq.ft (.64 m ²)
Shipping Weight	650 lb. (294.8 kg)
Shipping Cube	24.7 cu.ft (.69 m ³)

GO-36



ELECTRICAL SPECIFICATIONS

Voltage	208	240
Phase	1	1
Wires	2	2
Amps	16.5	19
Breaker	20	30
kW	3.4	4.6

DIMENSIONS

Height	35 3/4" (908.1 mm)
Width	27 1/2" (701.5 mm)
Depth	36" (914.4 mm)
Floor Space	6.9 sq.ft (.64 m ²)
Shipping Weight	355 lb. (161 kg)
Shipping Cube	28.1 cu.ft (.79 m ³)



BKI Worldwide Headquarters

P.O. Box 80400 Simpsonville, SC 29680-0400 USA • Tel: 864-963-3471 • Toll Free: 1-800-927-6887
Sales Fax: 509-352-5350

BKI Europe (U.K.)

Tel: (44) 8950 8222

Fax: (44) 8956 0233

BKI Latin America

Tel: 954-442-0480

Fax: 954-442-0480

