



FKM-FC, LPF-F

## ELECTRIC PRESSURE FRYERS

Optional microprocessor offers advanced control technology that enhances cooking capabilities

Lid interlock system adds a measure of safety by preventing the lid from being opened while pressure is in the fryer pot



Patented "Quick-Disconnect" filter assembly ensures proper filter alignment



FKM-FC

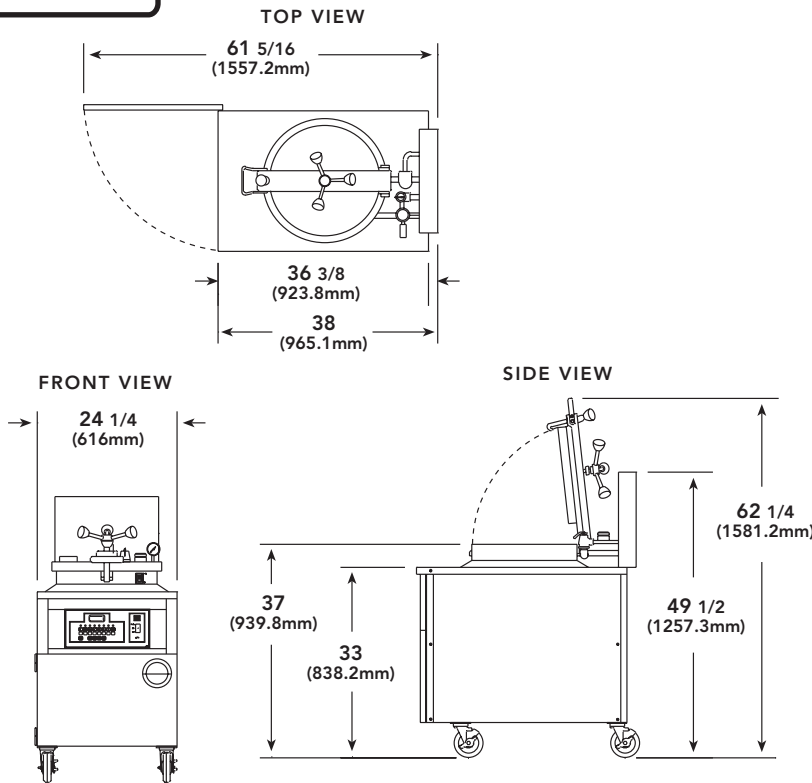


LPF-F

Enhance your fried food options and increase food quality with BKI electric pressure fryers. Easy to implement and manage, BKI's fryers utilize controlled low pressure to promote faster cooking at lower temperatures. A built-in cold zone collects breading "fall-off" to extend the life of the shortening. The patented "Quick-Disconnect" filtration system promotes a safer and simpler operation for a profitable and manageable fried food program.



**FKM-FC**



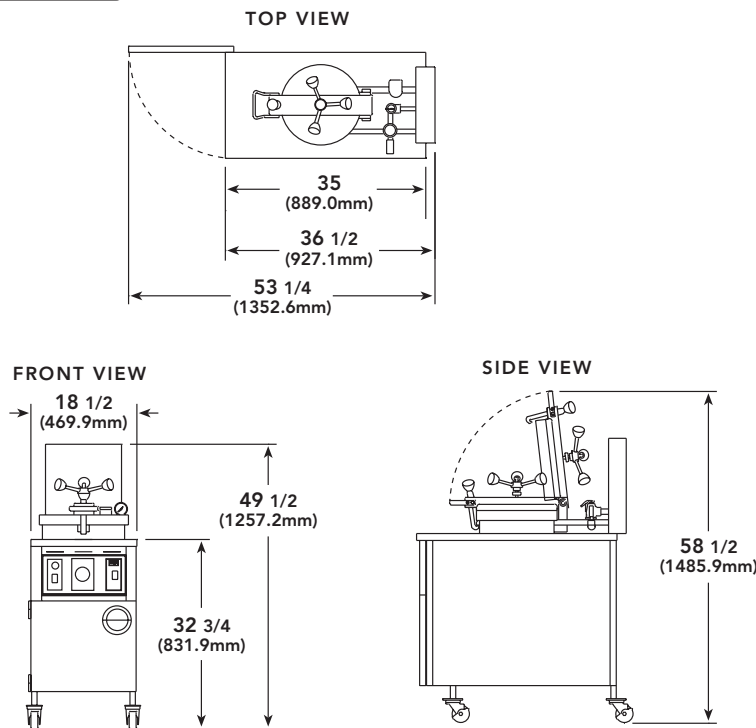
**ELECTRICAL SPECIFICATIONS**

|                |            |            |
|----------------|------------|------------|
| <b>Voltage</b> | <b>208</b> | <b>240</b> |
| <b>Phase</b>   | 3          | 3          |
| <b>Wires</b>   | 3          | 3          |
| <b>Amps</b>    | 49.2       | 42.6       |
| <b>Breaker</b> | 60         | 50         |
| <b>kW</b>      | 17         | 17         |

**DIMENSIONS**

|                        |                                 |
|------------------------|---------------------------------|
| <b>Height</b>          | 33" (838.2 mm)                  |
| <b>Width</b>           | 24 1/4" (616 mm)                |
| <b>Depth</b>           | 38" (965.1 mm)                  |
| <b>Floor Space</b>     | 6.4 sq.ft (.59 m <sup>2</sup> ) |
| <b>Shipping Weight</b> | 410 lb. (185.9 kg)              |
| <b>Shipping Cube</b>   | 32 cu.ft (.9 m <sup>3</sup> )   |

**LPF-F**



**ELECTRICAL SPECIFICATIONS**

|                |            |            |
|----------------|------------|------------|
| <b>Voltage</b> | <b>208</b> | <b>240</b> |
| <b>Phase</b>   | 3 or 1     | 3 or 1     |
| <b>Wires</b>   | 3 or 2     | 3 or 2     |
| <b>Amps</b>    | 38 or 65   | 33 or 57   |
| <b>Breaker</b> | 50 or 80   | 50 or 70   |
| <b>kW</b>      | 13.5       | 13.5       |

**DIMENSIONS**

|                        |                                  |
|------------------------|----------------------------------|
| <b>Height</b>          | 32 3/4" (831.9 mm)               |
| <b>Width</b>           | 18 1/2" (469.9 mm)               |
| <b>Depth</b>           | 36 1/2" (927.1 mm)               |
| <b>Floor Space</b>     | 4.7 sq.ft (.44 m <sup>2</sup> )  |
| <b>Shipping Weight</b> | 320 lb. (145.2 kg)               |
| <b>Shipping Cube</b>   | 24.2 cu.ft (.69 m <sup>3</sup> ) |



**BKI Worldwide Headquarters**

P.O. Box 80400 Simpsonville, SC 29680-0400 USA • Tel: 864-963-3471 • Toll Free: 1-800-927-6887  
Sales Fax: 509-352-5350

**BKI Europe (U.K.)**

Tel: (44) 8950 8222

Fax: (44) 8956 0233

**BKI Latin America**

Tel: 954-442-0480

Fax: 954-442-0480

