

BUNN®

BX Classic Home Brewer



Model BX

Features

10 Cup Home Pourover Coffee Brewer

The first commercial style brewer for the home. Faster brewing means better flavor and having more time to enjoy it.

- Classic design with stainless steel accents
- Convenient close-and-brew lid
- Brews ten cups of perfect coffee in 3 minutes
- Produces exceptional, café quality coffee
- Stainless steel tank holds ready-to-brew hot water
- Internal thermostat keeps water at ideal brewing temperature
- Patented sprayhead design improves coffee flavor extraction
- Lighted On/Off switch shows warming plate has power
- Porcelain-coated warming plate for easy clean-up
- Vacation switch turns tank heat off
- Decanter holds 50 ounces (10 cups)
- High altitude models available
- Colors: Black or White

For current specification sheets and other information, go to www.bunn.com or call your BUNN sales representative.

Nothing brews like a BUNN.

BUNN Paper Filters



Coffee warmer



NCD black decanter



BCG Coffee Grinder



Model	Agency Listing	International Model	Agency Listing
BX-B, BX-W	UL	No International Model	

Patents Apply

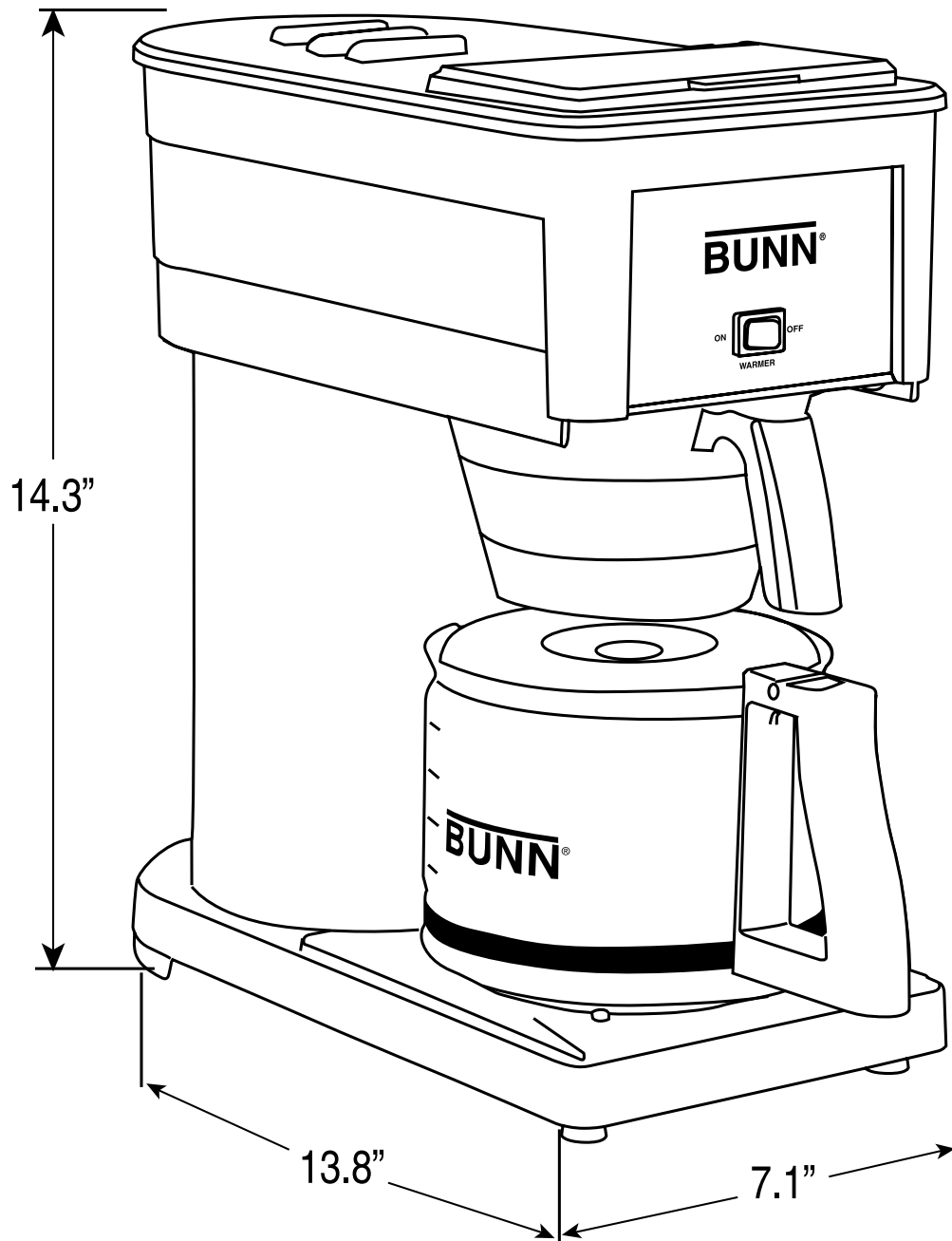
1/06

R1

Dimensions & Specifications

Model	Volts	Amps	Tank Heater Watts	Total Watts	Brewing Capacity	Shipping Weight
BX-B (Black)	120	7.5	800	900	50 oz.(10 cups)	7.1 lbs. (3.2 kg)
BX-W (White)	120	7.5	800	900	50 oz.(10 cups)	7.1 lbs. (3.2 kg)

Electrical: Model has attached cordset and requires 2-wire grounded service rated 120V, single phase, 60 Hz.



BUNN Corporation - 1400 Stevenson Drive Springfield, Illinois 62703 • 800-637-8606 • 217-529-6601 • Fax 217-529-6644 • www.bunn.com

BUNN® practices continuous product research and improvement. We reserve the right to change specifications and product design without notice. Such revisions do not entitle the buyer to corresponding changes, improvements, additions or replacements for previously purchased equipment.

All dimensions shown in inches. Bunn Corporation owns all copyrights relating to materials in this publication. Please contact Bunn Corporation to request permission to reproduce any portion of this publication.