



UC65e

High Temp Undercounter
Dishwasher And
Glasswasher



FEATURES:

- 30 racks / 120 covers per hour.
- Double skin stainless steel sides and top provides consistent heating and a quiet operation.
- Operator friendly, removable stainless steel wash and rinse arms allows for easy cleaning.
- Fully automatic cycle for easy operation.
- Stainless steel safety filters protect washing pump.
- Door and water level safety switches, plus booster safety thermostat.
- Stainless steel molded rack supports, polished stainless steel surface and tanks with rounded corners for a total and easy cleaning.
- Built-in detergent and rinse chemical pumps.
- Triple filtering protection system, captures excess soil and debris.
- Pump drain allows for multiple installation applications including elevated drains.
- Safety Temp feature assures 180°F sanitizing rinse every cycle.



Upper and lower wash and rinse arms guarantee excellent results.



Top mounted controls are easy to read and simple to operate.



Uses standard 19-3/4" X 19-3/4" racks. Large 14-1/2" glass clearance.



Large 14-1/2" door clearance accommodates oversized plates, glasses and utensils.

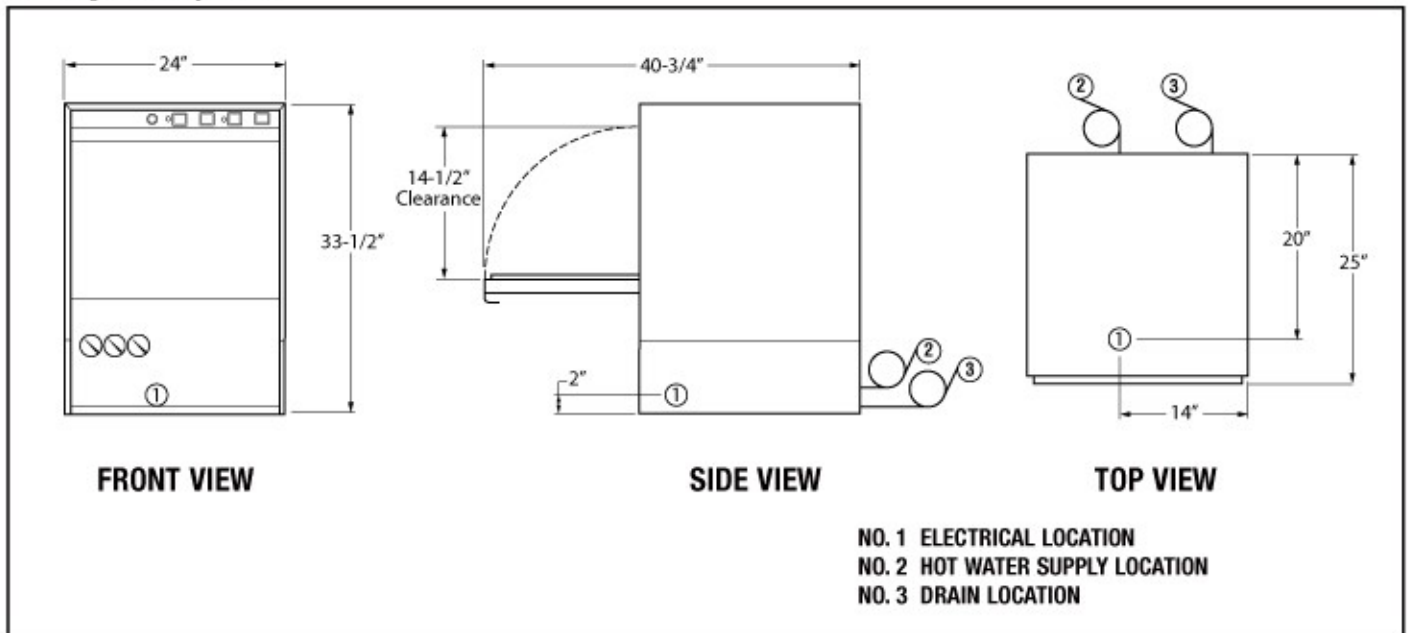




UC65e

High Temp Undercounter
Dishwasher And
Glasswasher

WARNING: Plumbing connections must be made by a qualified service company who will comply with all available Federal, State, and Local Health, Plumbing and Safety codes.



Specifications:

MODEL UC65e	USA	METRIC		USA	METRIC
WATER CONSUMPTION			FRAME DIMENSIONS		
PER RACK	.8 GAL	(3.2 L)	DEPTH	25"	(63.5 cm)
PER HOUR	20.4 GAL	(64 L)	WIDTH	24"	(60.9 cm)
OPERATING CYCLE			HEIGHT	33-1/2"	(85.1 cm)
WASH TIME-SEC	100	100	MAX HEIGHT CLEARANCE FOR DISHES	14-1/2"	(36.8 cm)
RINSE TIME-SEC	15	15	SHIPPING WEIGHT	148#	67KG
DWELL	5	5	MOTOR	1HP	
TOTAL CYCLE	2 MIN	2 MIN	HEATERS		
OPERATING CAPACITY			WASH TANK HEATER	2kW	
RACKS PER HOUR	30	30	BOOSTER HEATER(40°F/22°C rise)	4kW	
WATER REQUIREMENTS			BOOSTER HEATER(70°F/39°C rise)	6kW	
WITH 4kW BOOSTER HEATER	140°F	(60°C)	BOOSTER HEATER	10kW	
WITH 6kW BOOSTER HEATER	110°F	(43°C)	ELECTRICAL RATING*	VOLTS	PHASE
WATER CONNECTION (flexible hose)	1/2" I.D.		WITH 4kW BOOSTER HEATER	208	1
DRAIN CONNECTION (flexible hose) (supplied)	3/4" I.D.			230	1
FLOW PRESSURE (PRV supplied)	18-22 PSI	1.2-1.5 kg/cm ²			
CYCLE TEMPERATURES					
WASH (minimum)	150°F	(66°C)	*THIS SYSTEM REQUIRES THREE POWER WIRES WHICH INCLUDES A CURRENT CARRYING NEUTRAL. AN ADDITIONAL FOURTH WIRE MUST BE PROVIDED FOR MACHINE GROUND.		
RINSE (minimum)	180°F	(82°C)			

Summary Specifications:

The UC65e dishwasher and glasswasher is a front loading machine designed to produce sparkling clean glasses and dishes. Constructed of double walled stainless steel skin providing constant heating and a quiet operation. Standard features include upper and lower wash/rinse arms and wash and rinse tank heater.

