



A JohnsonDiversey Company

CMA-180T

High Temperature
Pot & Pan Single Rack
Dishwasher

Item. # _____

Spec. # _____

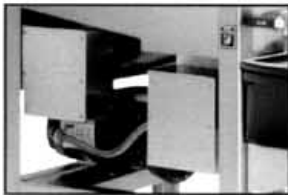


Corner Model

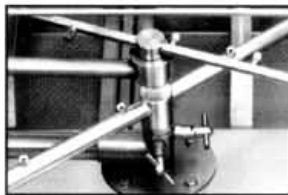


FEATURES:

- 60 racks / 240 covers per hour.
- Economical to operate. Uses only .96 gallons of water per cycle.
- Automatic soil purging system filters wash water and traps plate debris into an external tray. Tray can be easily removed for dumping contents.
- Heavy duty 12 and 14 gauge 304 stainless steel construction offers durable performance and years of trouble free operation.
- Built-in chemical resistant industrial 5kW heater and optional 12kW booster heater are proven to be more durable than commercial style heaters.
- Unique spray arm system features upper and lower stainless steel wash arms with reinforced end caps. Specially designed pull-pins allow wash arms to be easily removed for cleaning.
- Large 27" door opening accommodates larger items and utensils.
- Top mounted control box is water tight and includes a rack counter, extended wash/delimer switch and easy to read temperature gauges.
- Auto start/stop makes operation safe and easy.
- Field convertible for a wide range of applications
- Auto Fill.



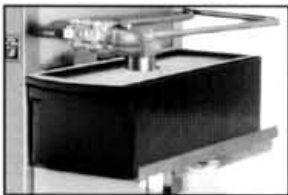
Industrial wash tank and optional booster heaters are designed for years of trouble free service.



Unique pull-pin design allows wash arms to be easily removed for cleaning.



Top mounted control box is water tight and includes a rack counter, extended wash/delimer switch and easy to read temperature gauges.



External scrap tray maintains clean wash water and prevents debris from clogging the drain.



Large 27" door opening accommodates larger items and utensils.

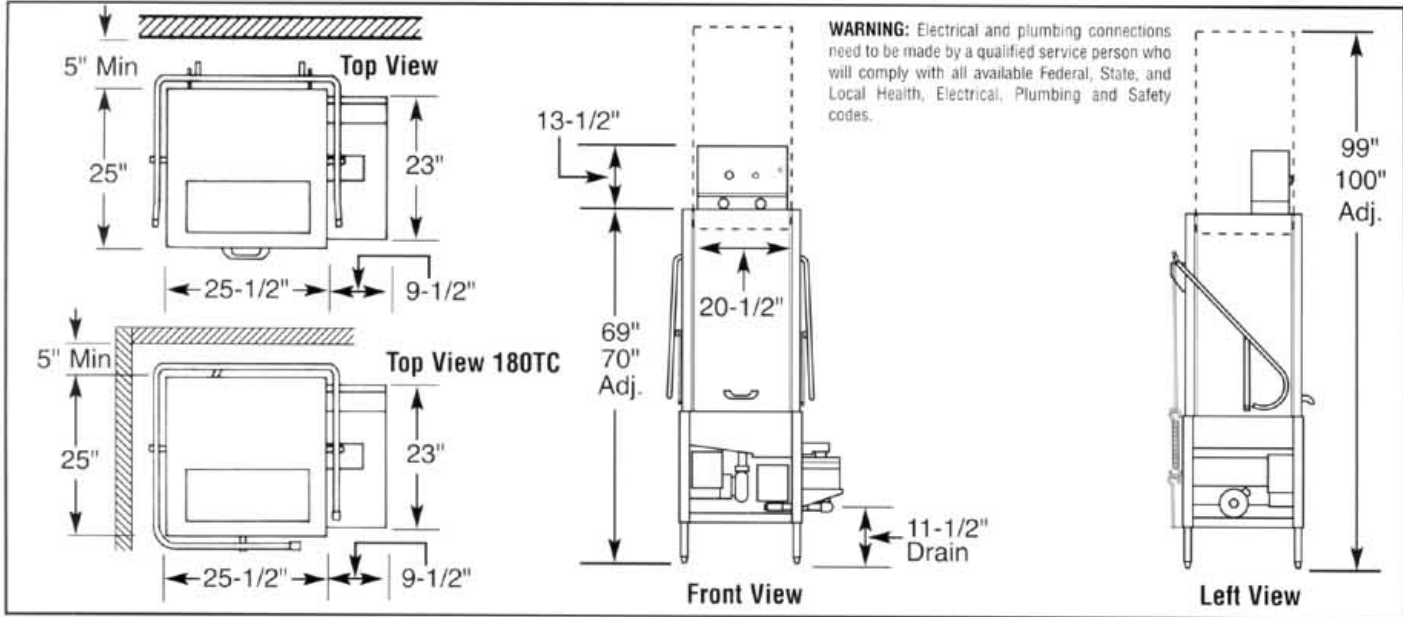
AIA # _____



A JohnsonDiversey Company

CMA-180T

High Temperature
Pot & Pan Single Rack
Dishwasher



Spec. #

Specifications:

MODEL CMA-180T	USA	METRIC	USA	METRIC
WATER CONSUMPTION				
PER RACK	96 GAL.	(3.6 L)		
PER HOUR	52 GPH	(197 L)		
OPERATING CYCLE				
WASH TIME - SEC.	49	49		
RINSE TIME - SEC.	12	12		
TOTAL CYCLE	61	61		
OPERATING CAPACITY				
RACKS PER HOUR	60	60		
WASH TANK CAPACITY	8 GAL.	(30.3 L)		
PUMP CAPACITY	68 GPM	(257 LPM)		
WATER REQUIREMENTS				
WITHOUT BOOSTER HEATER	180°F	(82°C)		
WITH BOOSTER HEATER	140°F	(60°C)		
WATER INLET	3/4"	-		
DRAIN CONNECTION	2"	-		
RINSE PRESSURE SET	20 psi	(1.41 kg/cm ²)		
OPERATING TEMPERATURE				
WASH-F (MIN)	155°F-160°F	(68°C-71°C)		
RINSE-F (MIN)	180°F-195°F	(82°C-90°C)		
WASH PUMP MOTOR HP			1	1
FRAME DIMENSIONS				
DEPTH	25"	(63.5cm)		
WIDTH	25-1/2"	(65cm)		
HEIGHT	69"-70"	(175-178cm)		
STANDARD TABLE HEIGHT	34"	(86.3cm)		
MAX CLEARANCE FOR DISHES	27"	(68.6cm)		
DRAIN CONNECTION (OFF FLOOR)	11-1/2"-12-1/2"	(29-32cm)		
STANDARD DISHRACK DIMENSIONS				
	1	1		
	19-3/4" X 19-3/4"	(50X50cm)		
ELECTRICAL RATING	VOLTS	PHASE	AMPS	
WITHOUT BOOSTER	208	1	28	
	240	1	30	
	208	3	20	
	240	3	21	
	WITH BOOSTER	208	1	71
		240	1	80
		208	3	45
		240	3	50
SHIPPING WEIGHT				
WITHOUT BOOSTER			353#	(160kg)
WITH BOOSTER			396#	(180kg)

Summary Specifications: Model CMA-180T

The model CMA-180T single tank, high temperature dishwasher is designed for years of trouble free service, producing sparkling results while conserving energy, water and chemicals. This machine is available with an optional "built in" booster heater, assuring a continuous supply of 180°F hot water, and can accommodate dishes and utensils up to 27" high. Unique soil purging system filters wash water and plate debris into an external tray. The CMA-180T meets NSF, UL, CUL and CE standards.

Available Models

- CMA-180TS Tall Straight
- CMA-180TSB Tall Straight with booster
- CMA-180TC Tall Corner
- CMA-180TCB Tall Corner with booster

Available Options:

- Exhaust Fan Time Control
- Built-in 12 kW booster heater
- CMA-180T Conversion Kit
- Dual power supply connections
- Stainless steel dishtables
- Alternative electrical available for export

AIA #