



SUPER DECK Y-DSP SERIES GAS DISPLAY OVENS



Model Y-602-DSP
with optional stone finish

SPECIFICATIONS

BAKERS PRIDE Y-DSP Display Ovens are ideal for display cooking and exhibition kitchens. These ovens are designed and engineered to be "built-in" behind brick, stone or tile applied directly to ovens exterior or finished and trimmed in brass, copper, stainless or powder-coated trim.

Ovens may be stacked two high. Oven exteriors are all heavy-gauge steel and are fully insulated up to 5" (127mm) thick for cooler outer temperatures and consistent interior temperatures.

Interior oven frame is constructed of 1/4" (6mm) heavy-duty angle iron frame, completely welded to form a single, unitized section. The oven body and lining are then welded to the framework.

Oven interiors are manufactured of high-heat resistant 16-gauge aluminized steel. Doors are fully insulated, spring balanced with natural black finish and custom wood handles.

Lintel plates support the masonry or tile for ease of installation. Standard features include dome top plus front and side skirts.

All models feature independent, operator-controlled top & bottom heat control dampers and micro slides for perfectly balanced results.

Y Series features a 300°-650° F (149°-343°C) throttling thermostat, 8" (203mm) interior deck height with 1 1/2" (38mm) thick hearth stone decks (steel decks optional) and are supported by a 1/4" (6mm) angle iron frame.

Combination gas control incorporates a manual gas valve, pilot safety and pressure regulator. Easily removable, slide-out, heavy-duty flame diverters distribute the burner flame uniformly in the burner chamber. A 3/4" (19mm) NPT gas connection is located on the left side and left rear of oven - operator/installer may choose.

Heavy-duty, 7-gauge hot rolled steel legs are standard and finished with durable Bakertone.

2 Year limited part and labor warranty standard.

Job _____ Item # _____

GAS DECK OVENS



- Model Y-600-DSP Single
- Model Y-602-DSP Double

- Model Y-800-DSP Single
- Model Y-802-DSP Double

STANDARD FEATURES

- Y Series @ 120,000 BTUH per deck, natural or LP gas
- 300°-650° F (149°-343°C) throttling thermostat
- Top & bottom heat control dampers & micro-slides
- Combination gas controls with valve, regulator & pilot safety
- Heavy-duty, slide-out flame diverters
- 8" (203mm) interior deck heights with 1 1/2" (38mm) thick hearth stone decks
- Black powder coated doors with custom hardwood handles or stainless doors with tubular steel handles
- Front or side mounted controls with large, hinged access cover door in black powder coat or stainless steel
- Dome top - removable for field installations
- Front & side skirts
- Aluminized steel interiors
- Spring balanced, fully insulated doors
- Rear gas connections
- 7-Gauge legs
- Fully insulated throughout
- 2 Year limited part and labor warranty

OPTIONS & ACCESSORIES

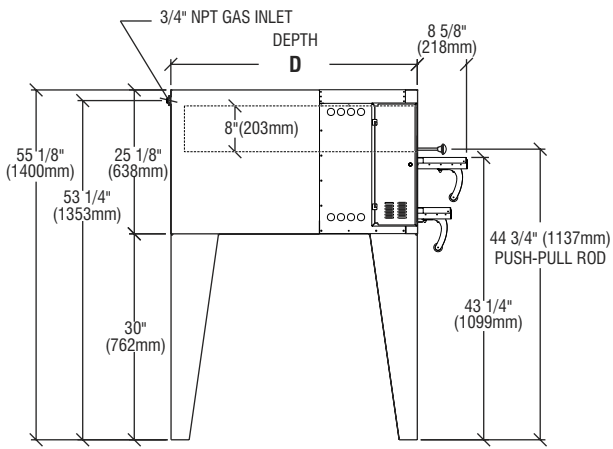
- Side-mounted controls
- Steel decks in lieu of hearth stone decks
- 150°-550° F (65°-288°C) thermostat
- Automatic oven starter
- Draft flue for direct vent (not available on CE units)
- Fire brick hearth decks (Y-600/602 only)
- Without dome and/or without skirts
- Set of 4 casters - two with locks - not for use with skirts

CERTIFICATIONS

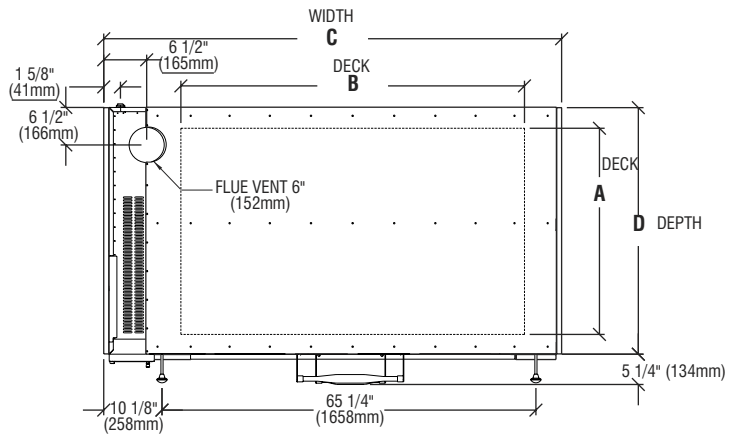


BAKERS PRIDE OVEN COMPANY, INC.
30 Pine Street, New Rochelle, NY 10801
914/576-0200 • 1-800-431-2745 • fax 914/576-0605
www.bakerspride.com

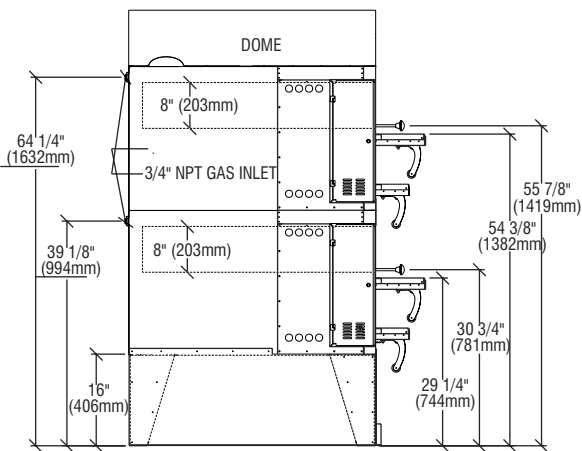
Continuous product improvement is a policy of Bakers Pride Oven Company. Therefore, specifications and design are subject to change without notification



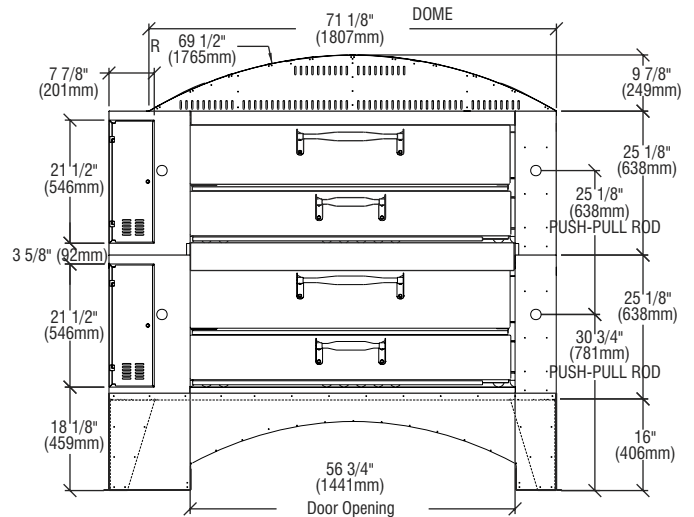
LEFT SIDE VIEW
Single Unit With Side Controls



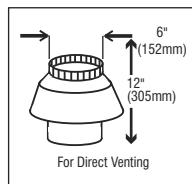
TOP VIEW



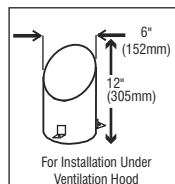
LEFT SIDE VIEW
Stacked Unit With Side Controls



FRONT VIEW
Stacked Unit With Front Controls



MUST BE SPECIFIED AT TIME OF ORDER



STANDARD

ALL DIMENSIONS NOMINAL

SHIPPING INFORMATION										
Model	Shipping Weight		Carton Dimensions				Crate Size		Cubic Meter	
	Lbs.	Kilos	Width Inches	mm	Depth Inches	mm	Height Inches	mm		Cubic Feet
Y-600-DSP	1385	626	31	787	53	1364	82	2083	76	2.4
Y-800-DSP	1600	726	31	787	60	1365	86	2184	78	2.8

Each oven ships separately
Hearth Decks and Legs ship in separate cartons

GAS SUPPLY			
Model	BTUH	KW	CONNECTION
Y-600-DSP	120,000	35.15	3/4"
Y-602-DSP	240,000	70.30	3/4"
Y-800-DSP	120,000	35.15	3/4"
Y-802-DSP	240,000	70.30	3/4"

CE certification not available in LP gas
Each deck requires a separate gas connection

SPECIFICATIONS									
Model	Deck Sizes		# Decks	Overall Dimensions				Height*	
	A x B	mm		Inches	mm	Inches	mm		Inches
Y-600-DSP	36 x 60	914 x 1524	1	78	1981	43	1092	55 1/8	1400
Y-602-DSP	36 x 60	914 x 1524	2	78	1981	43	1092	66 1/4	1683
Y-800-DSP	44 x 66	1118 x 1676	1	84	2134	51	1295	55 1/8	1400
Y-802-DSP	44 x 66	1118 x 1676	2	84	2134	51	1295	66 1/4	1683

* Overall height excludes dome top

MINIMUM CLEARANCES				
	Noncombustible Construction		Combustible Construction	
	Inches	mm	Inches	mm
Right	0	0	1	25
Left	0	0	3	76
Rear	2	51	3	76



BAKERS PRIDE OVEN COMPANY, INC.
30 Pine Street, New Rochelle, NY 10801
914/576-0200 • 1-800-431-2745 • fax 914/576-0605
www.bakerspride.com

Continuous product improvement is a policy of Bakers Pride Oven Company. Therefore, specifications and design are subject to change without notification

TSW:07/06