



SP-1845

Standard Features:

- One-piece heavy cast reinforced top grate and rim roll
- Large capacity, removable drip pan
- High speed type burners
- Two (2) burner controls total 45,000 BTU/hr (15,000 inner ring, 30,000 outer ring)
- Standing pilot for instant lighting
- 3/4" gas regulator
- 6" (152mm) legs with adjustable feet
- Exterior finish - black enamel with stainless steel front

Specification:

Shall be U.S. Range Stock Pot, Model _____ total BTU/Hour rating of 45,000 when used with natural/propane gas. Finish is to be stainless steel front and painted sides.



Models Available		
Model Number	Description	Total BTU Propane & Natural Gas
SP-1844	Stock Pot Stove With Pipe Legs	45,000
SP-1845	Stock Pot Stove With Cabinet Base	45,000

Garland Commercial Industries, Inc.
 185 East South Street
 Freeland, Pennsylvania 18224
 Phone: (570) 636-1000
 Fax: (570) 636-3903

Garland Commercial Ranges Ltd
 1177 Kamato Road, Mississauga, Ontario
 L4W 1X4 CANADA
 Phone: 905-624-0260
 Fax: 905-624-5669

Enodis UK LTD
 Swallowfield Way, Hayes, Middlesex
 UB3 1DQ ENGLAND
 Telephone: 081-561-0433
 Fax: 081-848-0041



Item #: _____

Model: SP-1844, SP-1845

Product Name: Regal Series Stock Pot Stoves

Specifications

Model #	Dimensions: In. (mm)			No. of Burners	BTU Natural & Propane Gas			Gas Manifold
	Width	Depth	Height		Inner Ring	Outer Ring	Total	
SP-1844, SP-1845	18 (457)	21 (533)	25 (635)	2	15,000	30,000	45,000	3/4" IPS

Many local codes exist and it is the responsibility of the owner and installer to comply with those codes.

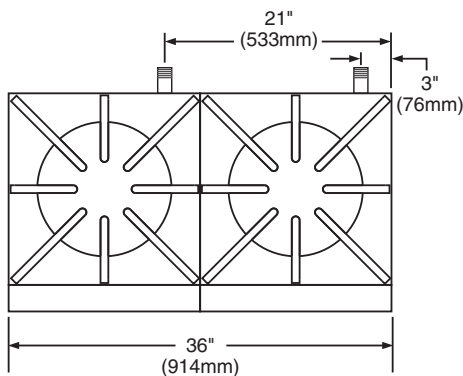
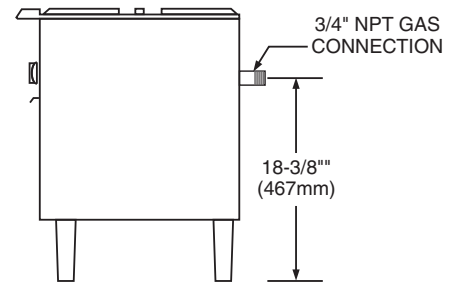
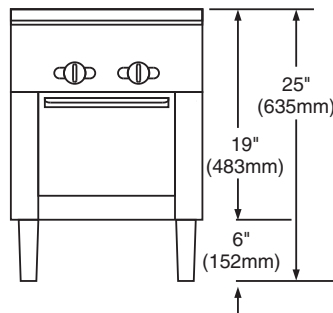
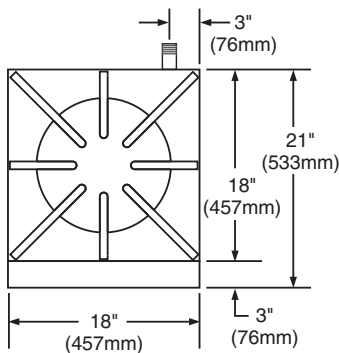
Garland/U.S. Range products are not approved or authorized for home or residential use, but are intended for commercial applications only. Garland / U.S. Range will not provide service, warranty, maintenance or support of any kind other than in commercial applications.

Shipping Information

Model #	Weight Lb/Kg	Cube Dimensions: In. (mm)		
		Width	Depth	Height
SP-1844	80/36	27(656)	22(559)	26(660)
SP-1845	110/50	27(656)	22(559)	26(660)

Operating Pressure All Models

Natural Gas	Propane
5" WC (12.5 Mbar)	10" WC (25 Mbar)



ALSO AVAILABLE
FACTORY ASSEMBLED
AS TWIN BANKS;
SIDE-BY-SIDE & FRONT-TO-BACK

