



Model BS-CX

Specification:

Unit shall be a U.S. Range Infrared Salamander Broiler, Model _____. Single 30,000 BTU atmospheric infra-red burner, with 5 position adjustable rack. Stainless steel finish on front, sides, top and bottom, available in natural or propane gas. Unit to be range, (BS-RX), counter, (BS-CX), or wall mounted, (BS-WX).

Standard Features:

- Stainless steel front, sides, top and bottom
- 1/2" NPT top gas inlet
- Single, 30,000 atmospheric infra-red burner designed for heavy broiling
- 5 position, positive lock, adjustable rack height
- Large capacity removable grease pan
- Designed to be installed on a counter, wall or range mounted on Cuisine and Performer Series ranges
- Broiling grid 28" (711mm) Wide x 13 1/2" (343mm) Deep
- Heavy-duty, spring assisted carriage is angle iron construction for long life and durability
- Available in Natural or Propane gas
- One Year limited parts and labor warranty (USA and Canada only)

Optional Features:

- Interconnection gas pipe for range mounting



Garland Commercial Industries, Inc.
185 East South Street
Freeland, Pennsylvania 18224
Phone: (570) 636-1000
Fax: (570) 636-3903

Garland Commercial Ranges Ltd
1177 Kamato Road, Mississauga, Ontario
L4W 1X4 CANADA
Phone: 905-624-0260
Fax: 905-624-5669

Enodis UK LTD
Swallowfield Way, Hayes, Middlesex
UB3 1DQ ENGLAND
Telephone: 081-561-0433
Fax: 081-848-0041



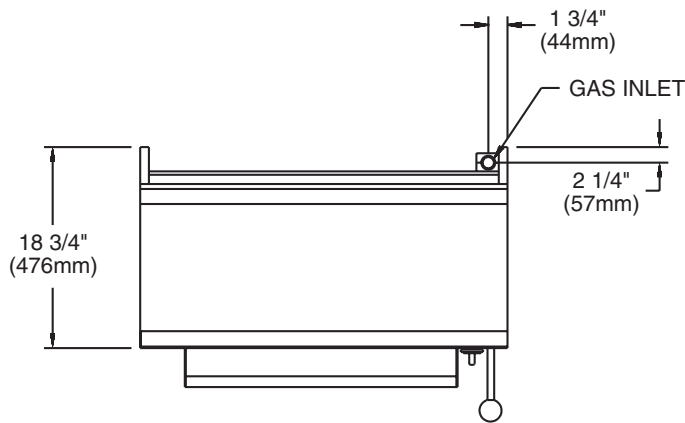
Item #: _____

Model: BS-RX, BS-WX, BS-CX

Product Name: Infra-Red Salamander Broiler:
Range, Counter or Wall Mounted

Models Available	Description
BS-RX	Salamander Broiler for Range
BS-CX	Salamander Broiler for Counter Mounting (Comes with 4" (102mm) legs)
BS-WX	Salamander Broiler for Wall Mounting (comes with brackets)

Many local codes exist and it is the responsibility of the owner and installer to comply with those codes. Garland/U.S. Range products are not approved or authorized for home or residential use, but are intended for commercial applications only. Garland / U.S. Range will not provide service, warranty, maintenance or support of any kind other than in commercial applications.



Models Available	Weight Lbs/Kg
BS-RX	205/93
BS-CX	192/87
BS-WX	210/95

Gas Manifold Pressure	
Natural Gas	5.0" WC (12.5mbar)
Propane	11.0" WC (28mbar)

