

URC-F SRC-H/SRK-H REMOTE CONDENSER SERIES

Item # _____

Project: _____

Qty: _____

*AutoCad available on KCL

URC-F/SRC-H/SRK-H

2/08

Item # 13084

URC-5F
Air-Cooled

URC-6F
Air-Cooled

SRK-7H
Air-Cooled

URC-7F
Air-Cooled

URC-9F
Air-Cooled

SRC-10H
Air-Cooled

URC-12F
Air-Cooled

SRK-14H
Air-Cooled

URC-14F
Air-Cooled

URC-20F
Air-Cooled

URC-21F
Air-Cooled

URC-24F
Air-Cooled



URC-6F
Remote Condenser



URC-24F
Remote Condenser

| Remote Condenser | Use with Ice Machine Model Number | |
|------------------|-----------------------------------|---------|
| URC-5F | KM-461MRH | Cuber |
| | KM-650MRH | Cuber |
| URC-6F | KM-501MRH | Cuber |
| | F-1001MRH-(C) | Flaker |
| SRK-7H | KMS-750MLH | Cuber |
| URC-7F | KML-600MRH | Cuber |
| URC-9F | KML-631MRH | Cuber |
| SRC-10H | FS-1001MLH-C | Cubelet |
| URC-12F | KM-900MRH(3) | Cuber |
| | KMD-700MRH | Cuber |
| | KMD-900MRH | Cuber |
| | KM-1300SRH(3) | Cuber |
| | F-1500MRH-(C) | Flaker |
| SRK-14H | KMS-1400MLH | Cuber |
| URC-14F | KM-1340MRH | Cuber |
| URC-20F | KM-2000SRH(3) | Cuber |
| | F-2000MRH(3) | Flaker |
| URC-21F | KM-1601MRH(3) | Cuber |
| | KM-1601SRH(3) | Cuber |
| URC-24F | KM-2400SRH(3) | Cuber |

Ice Machines Sold Separately

- Remote condensers for KM Series Cubers and F Series Flakers
- Quiet operation
- Improved efficiency
- Energy savings
- Weather resistant cabinet for longer life
- May be installed outdoors up to 55 feet from icemaker using a pre-charged tubing kit
- For installations exceeding 55 feet, contact Factory Service Department



Warranty

Valid in United States, Canada, Puerto Rico, & U.S. Territories. Contact factory for warranty in other countries.

When used with KM Series Cubers:
Three Year - Parts & Labor on entire unit.
Five Year - Parts on: air-cooled condenser coil.

When used with F Series Flakers:
Two Year - Parts & Labor on entire unit.
Five Year - Parts on: air-cooled condenser coil.



Hoshizaki

URC-F/SRC-H/SRK-H REMOTE CONDENSER SERIES AIR-COOLED

- URC-5F
- URC-6F
- SRK-7H
- URC-7F
- URC-9F
- SRC-10H
- URC-12F
- SRK-14H
- URC-14F
- URC-20F
- URC-21F
- URC-24F

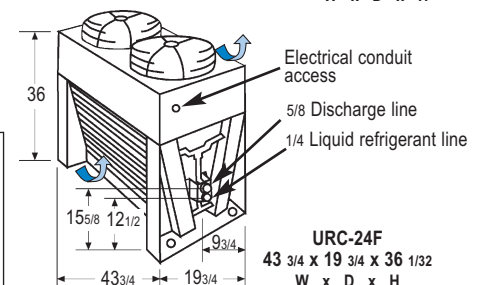
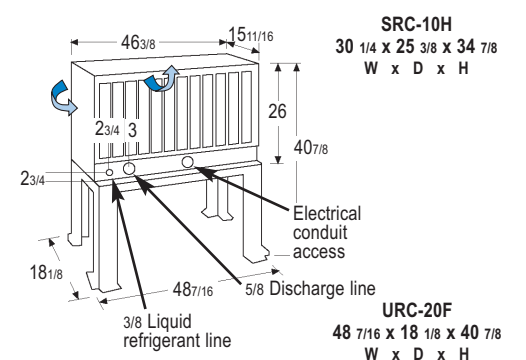
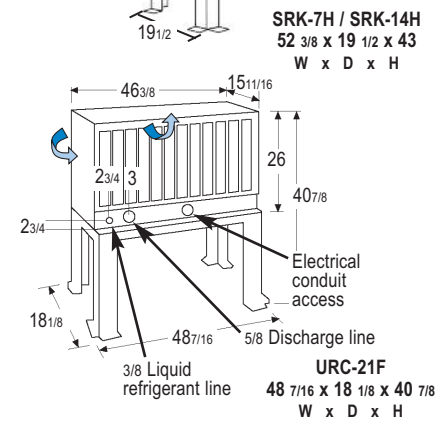
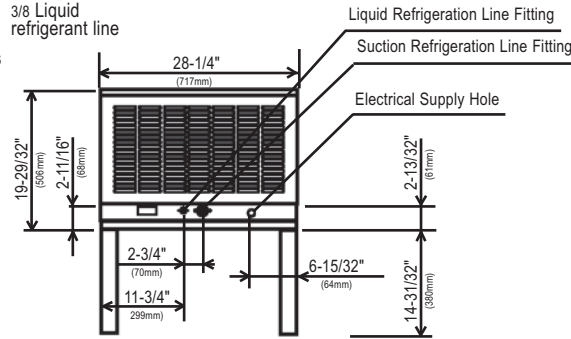
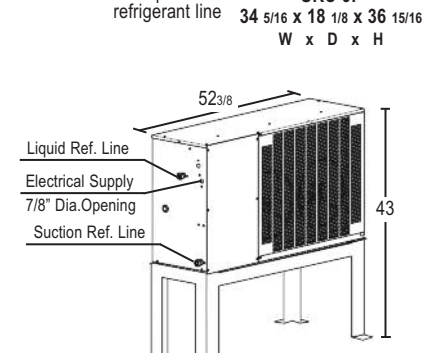
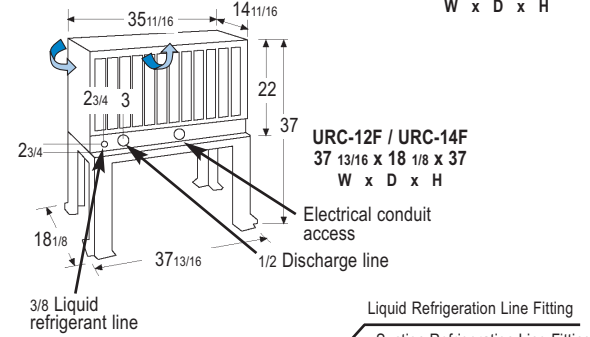
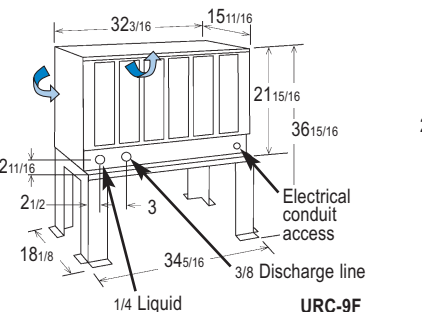
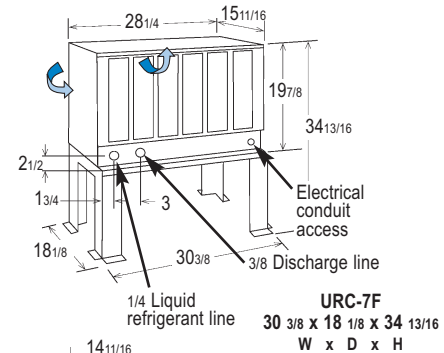
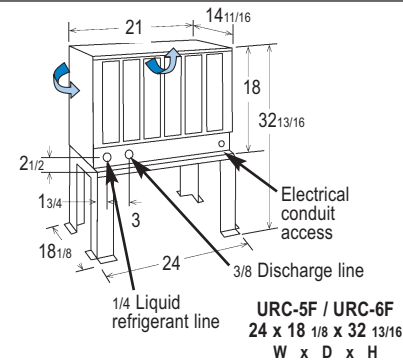
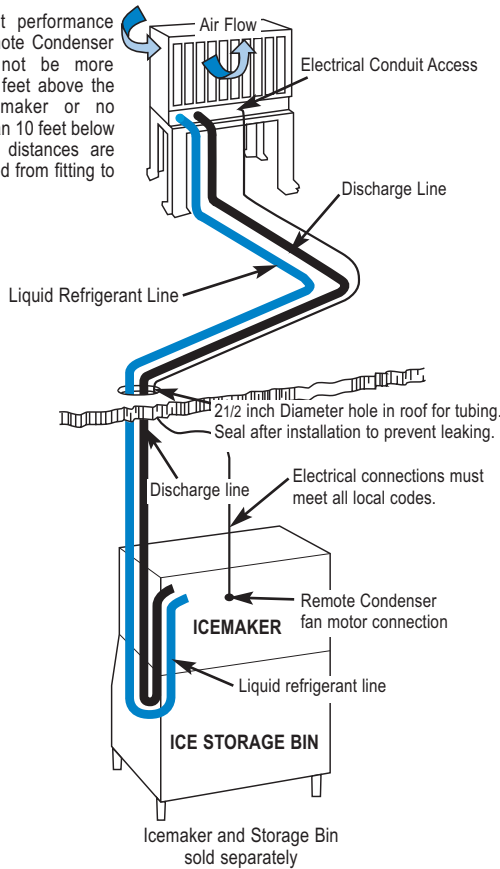
REMOTE AIR-COOLED

| Model Number Air-Cooled Condenser | Order Tubing Kits Separately | | | Shipping Weight |
|---|------------------------------|-------------|-------------|--------------------|
| | 20' length | 35' length | 55' length | |
| URC-5F | R404-2046-2 | R404-3546-2 | N/A | 60 lbs. |
| URC-6F | R404-2046-2 | R404-3546-2 | N/A | 60 lbs. |
| SRK-7H | R404-20810 | R404-35810 | R404-55810 | 240 lbs. |
| URC-7F | R404-2046-2 | R404-3546-2 | N/A | 85 lbs. |
| URC-9F | R404-2068-2 | R404-3568-2 | N/A | 95 lbs. |
| SRC-10H | R404-20410 | R404-35410 | R404-5510 | 180 lbs. |
| URC-12F | R404-2068-2 | R404-3568-2 | R404-5568-2 | 110 lbs. |
| SRK-14H | R404-20810 | R404-35810 | R404-55810 | 273 lbs. |
| URC-14F | R404-2068-2 | R404-3568-2 | R404-5568-2 | 110 lbs. |
| URC-20F | R404-20610 | R404-35610 | R404-55610 | 145 lbs. |
| URC-21F | R404-20610 | R404-35610 | R404-55610 | 165 lbs. |
| URC-24F | R404-20610 | R404-35610 | R404-55610 | 210 lbs. |

REMOTE CONDENSER INSTALLATION ON ROOF

For best performance allow 24 inch clearance for air circulation

For best performance the Remote Condenser should not be more than 33 feet above the KM Icemaker or no more than 10 feet below it. These distances are measured from fitting to fitting.



ELECTRICAL

URC-5F / URC-6F / URC-7F / URC-9F
URC-12F / URC-14F / URC-20F / URC-21F

- 115V/60/1 (Connection to icemaker)

ELECTRICAL

SRK-7H / SRC-10H / SRK-14H / URC-24F

- 208-230V/60/1 (Connection to icemaker)

OPERATING LIMITS

URC-5F / URC-6F / URC-7F / URC-9F
URC-12F / URC-14F / URC-20F / URC-21F

- Ambient Temp Range -20 - 122°F
- Voltage Range 104 - 127V

OPERATING LIMITS

SRK-7H / SRC-10H / SRK-14H / URC-24F

- Ambient Temp Range -4 - 122°F / -22 - 122°F
- Voltage Range 187 - 253V

Pre-Charged Tubing Kits

(Sold Separately)
Refer to SPECIFICATIONS table to determine appropriate Tubing Kit Number for Remote Condenser Unit specified.



© HOSHIZAKI AMERICA, INC.

618 Hwy. 74 S., Peachtree City, GA 30269

TEL 1-800-438-6087

FAX 1-800-345-1325

www.hoshizaki.com

Printed in U.S.A.