

# AM-50BAE(-AD)

## SELF-CONTAINED CUBER WITH BUILT-IN STORAGE BIN

Item # \_\_\_\_\_

Project: \_\_\_\_\_

Qty: \_\_\_\_\_

\*AutoCad available on KCL

AM-50BAE(-AD)

2/06

Item # 13158

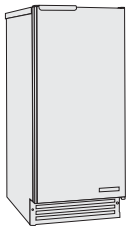
### CUBER DIMENSIONS W x D x H

#### AM-50BAE

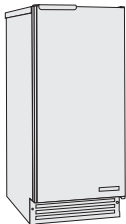
14<sup>7/8</sup> x 22<sup>5/8</sup> x 33<sup>1/2</sup>

#### AM-50BAE-AD

14<sup>7/8</sup> x 22<sup>5/8</sup> x 31<sup>1/2</sup>



AM-50BAE



AM-50BAE-AD



### AM-50BAE

Air-Cooled  
Shown

### AM-50BAE-AD

Air-Cooled  
ADA Compliant Unit

#### AM-50BAE

- Undercounter design is less than 34 inches tall

#### AM-50BAE-AD

- Undercounter design is less than 32 inches tall, which complies with the Americans with Disabilities Act (ADA)

#### AM-50BAE & AM-50BAE-AD

- Up to 55 lbs. of ice production per 24 hours
- Durable stainless steel exterior
- UL approval for outdoor use
- Up to 27 lbs. of built-in storage capacity
- Power switch accessible without panel removal
- Easily disassembled water circuit for easy cleaning
- Front in, front out airflow
- Fewer moving parts for longer life
- Swing style reversible door
- Side trim kit available
- R-134A Refrigerant



#### Warranty

Valid in United States, Canada, Puerto Rico, & U.S. Territories. Contact factory for warranty in other countries.

**Two Year** - Parts & Labor on entire machine.



# SELF-CONTAINED CUBER WITH BUILT-IN STORAGE BIN

## AM-50BAE(-AD)

### DIMENSIONS

W x D x H

**AM-50BAE**  
14<sup>7/8</sup> x 22<sup>5/8</sup> x 33<sup>1/2</sup>

**AM-50BAE-AD**  
14<sup>7/8</sup> x 22<sup>5/8</sup> x 31<sup>1/2</sup>

- Air-cooled
- ADA compliant

### AIR-COOLED

Water Temp° F.	50°
Air Temp° F.	70°
	55 lbs.

### UTILITY CONSUMPTION (AIR 70°F/WATER 50°F)

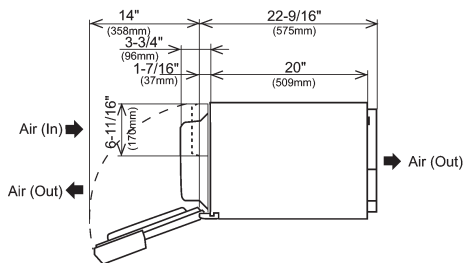
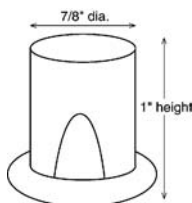
Model Number	Ice Production Per Cycle		KWH per 100 LBS.	Potable Water Gal. per 100 lbs.	Condenser Water Gal. per 100 lbs.
	Lbs.	Cubes			
AM-50BAE(-AD)	0.65	24	9.9	53.7	N/A

### SPECIFICATIONS

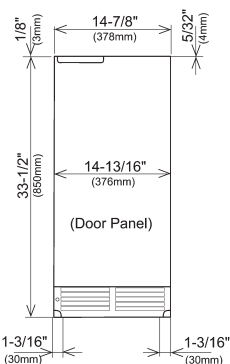
Model Number	Condenser	Amperage	Min. Circuit Ampacity	Shipping Weight
AM-50BAE(-AD)	Air-Cooled	3.4	15	115 lbs.*

\* Without pallet

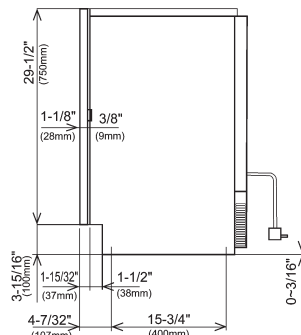
### AM CUBE DIMENSIONS



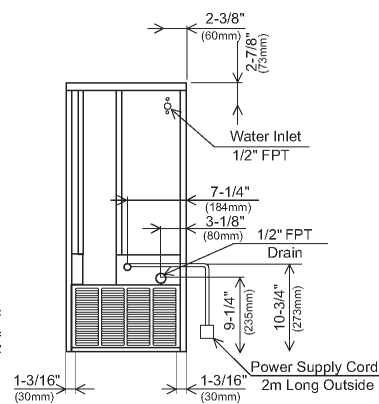
TOP DIMENSIONS



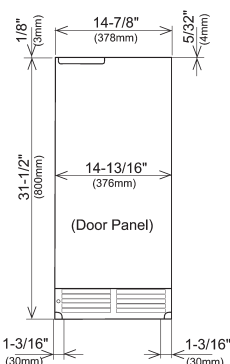
FRONT DIMENSIONS



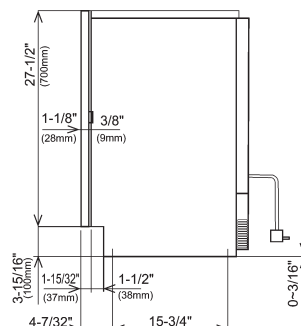
SIDE DIMENSIONS



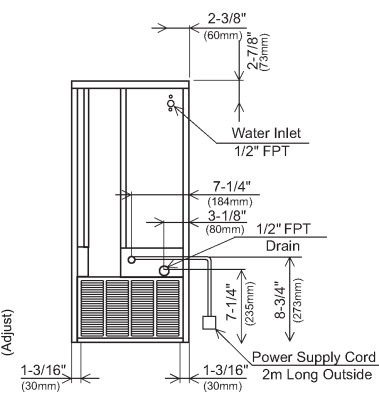
BACK DIMENSIONS



FRONT DIMENSIONS  
(ADA compliant unit)



SIDE DIMENSIONS  
(ADA compliant unit)



BACK DIMENSIONS  
(ADA compliant unit)

### ELECTRICAL & PLUMBING/AM-50BAE(-AD)

- 115V/60/1
- 15 amp Max Fuse/HACR Breaker Size
- 1/2" FPT Water Inlet
- 1/2" FPT Drain

### OPERATING LIMITS

- Ambient Temp Range 45 - 100°F
- Water Temp Range 45 - 95°F
- Water Pressure 7 - 113psig
- Voltage Range 104 - 127V



© HOSHIZAKI AMERICA, INC.

618 Hwy. 74 S., Peachtree City, GA 30269

TEL 1-800-438-6087

FAX 1-800-345-1325

www.hoshizaki.com

Printed in U.S.A.

