



## RL-30 AUTOMATIC UNDERCOUNTER DISHWASHER

### DESIGN

Automatic, hot water sanitizing undercounter dishwasher with timed wash and rinse cycle. Fully automatic operation with power on/off button. Capacity is 30 racks per hour or 750 dishes per hour. Energy efficient.

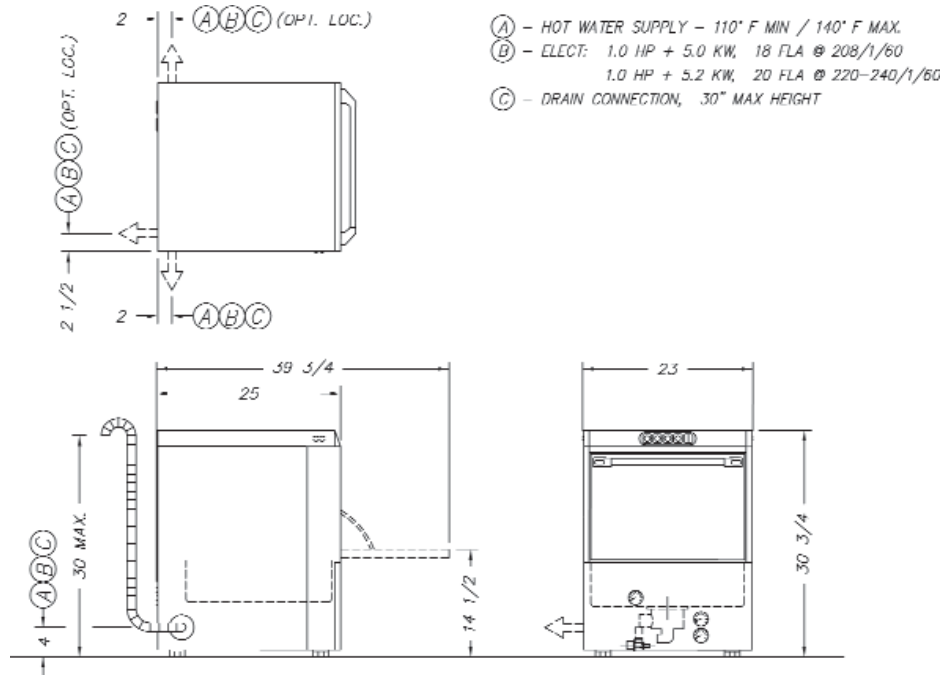
### STANDARD EQUIPMENT

- 7 bayonet style wash arms with 42 fixed wash jets
- 6 upper rinse jets
- 8 lower revolving rinse jets
- Fully automatic operation
- Independent wash and rinse systems
- Automatic tank fill
- Continuous wash cycle
- Electric immersion tank heat: 2.8 kW
- Low water protection for heater
- TempGuard™ final rinse temperature control
- Thermostatic controls for the wash tank and final rinse heaters
- Built-in electric booster: 3.5 kW (40° or 70° rise)
- Motor overload protection
- Double wall construction for noise reduction and thermal insulation
- Deep drawn side walls, wash tank, door and rack guides for easy cleaning
- Door interlock safety switch
- Flexible water connection
- Single point electrical connection for motor, controls, heater and booster
- Built-in detergent and rinse-aid pumps
- Pumped drain
- Food soil strainer system
- 2 plastic 20" x 20" racks (1 plate, 1 silver)

### OPTIONAL EQUIPMENT

- Additional plastic 20" x 20" rack
- Drain quench system
- 6" stand
- 17" stand





Note: For all rough in connections see Installation and Layout Detail drawing

## SPECIFICATIONS

**CONSTRUCTION-** Machine wash tank, casing and rinse pipes are made of 304 stainless steel. The polypropylene wash manifold, arms and jets are heat, alkali and rust resistant.

**CONTROLS-** Front mounted controls are easy to read with indicator lights for power heat and drain. Control components mounted in splash-proof box. Box is on slides for easy service.

**WASH/RINSE SYSTEM-** 42 fixed high volume spray nozzles, 14 full coverage rinse nozzles.

**DRAIN SYSTEM-** Separate drain pump lifts up to 30 inches above floor level.

Capacity Per Hour	Tank Capacity	Motor Size	Electric Usage	Water Inlet Temperature	Final Rinse Peak Flow at 20 psi.	Final Rinse Consumption at 20 psi.
30 racks 750 dishes 68 meals	7.4 gals	1 hp (wash)	2.8 kW wash tank 3.5 kW built-in booster (40°-70° rise)	110° to 140° F	4.75 gals./min.	23.8 gals./hr. 0.79 gal./rack
Exhaust Hood Requirement	Time Cycle	Peak Rate Drain Flow	Shipping Weight	Current Draw Amps	Electric with Built-in Booster	
none	120 seconds	9 gals./min.	165 lbs.	208-240/60HZ/1PH.....	18-20	