

S-Series 422 Ice Cube Machine



Manitowoc



S-Series 422
Ice Machine on B-420 Bin

-
- SANITATION**
We've made it simple to clean
 - SAVINGS**
The perfect balance of power and efficiency
 - SOUND**
Designed to run whisper-quiet
 - SERVICEABILITY**
Easy access means less downtime
-

- Up to 450 lbs. (204 kgs.) daily ice production
- Only 22" (55.88 cm) wide
- Removable water distribution tube with no tools
- Food zone designed with soft, round, cove corners
- Patented cleaning and sanitizing technology
- Select components made with AlphaSan antimicrobial
- Hinged front door for easy access
- Warranty
 - 5-year parts and 5-year labor coverage on ice machine evaporator
 - 5-year parts and 3-year labor coverage on ice machine compressor
 - 3-year parts-and-labor coverage on all other ice machine, dispenser, and storage bin components



ISO 9001
Quality System
Certified

America's #1 Selling Ice Machine

Ice Cube & Flake Machines • Ice Storage Bins • Ice Dispensers

Manitowoc
Foodservice Group

Manitowoc S-Series 422

Model	Cube size	Ice production 24 hours		Power kWh/100 lbs.
		lbs.	kgs.	
SD-0422A	dice	380	173	7.3
SD-0423W	dice	420	191	6.1
SY-0424A	half-dice	380	173	7.3
SY-0425W	half-dice	420	191	6.1
Water usage/100 lbs./45.4 kgs. of Ice				
Potable Water: 18 gallons, 68 liters • Water-cooled Condenser: 200 gallons, 757 liters				

Order ice storage bin separately. "A" or "W" following model number indicates "Air" or "Water" condensing unit.



Ice Machine Electric

115/60/1 standard. (208-230/60/1 and 230/50/1 also available.)

Min. circuit ampacity: Air-cooled — 13.6 amps
Water-cooled — 12.9 amps

Max. fuse size: Air-cooled and Water-cooled — 20 amps

HACR-type circuit breakers can be used in place of fuses.

Specifications

BTU Per Hour:

7,000 (average) 9,600 (peak)

Compressor:

Nominal rating: 3/4 HP

Cupra-Nickel Condenser:

(Water-cooled models)
Adds protection from
corrosive water elements.

Operating Limits:

• Ambient Temperature Range:

Air and water:
35° to 110°F (1.6° to 43.3°C)

• Water Temperature Range:

35° to 90°F (1.6° to 32.2°C)

• Water Pressure Ice Maker

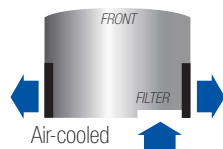
Water In:
Min. 20 psi (137.9 kPa)
Max. 80 psi (551.1 kPa)

• Condenser Inlet Water In:

(Water cooled only)
Min. 20 psi (137.9 kPa)
Max. 150 psi (1,034.2 kPa)



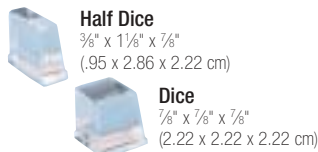
Air Flow Top View



AuCS®50 Accessory

Automatic Cleaning System purchased as an option and installed in the field.

2 Cube Sizes Available



Guardian® Accessory



Slime Inhibitor with Ice Sentry sachet refill. Sachet holder standard in S-Series machine.

24-HOUR PRODUCTION †								lbs. kgs.
AIR-COOLED UNIT				WATER-COOLED UNIT				
air temp	water temp			air temp	water temp			
°F	50°	70°	90°	°F	50°	70°	90°	
°C	10°	21°	32°	°C	10°	21°	32°	
70°	450	420	390	70°	470	440	400	
21°	204	191	177	21°	213	200	181	
80°	430	400	370	80°	460	430	390	
27°	195	181	168	27°	209	195	177	
90°	410	380	350	90°	450	420	380	
32°	186	173	159	32°	204	191	172	

†Production for Dice and Half Dice cubes. Data is published for 60 Hz machines. 50 Hz machines produce approximately 7% less ice.

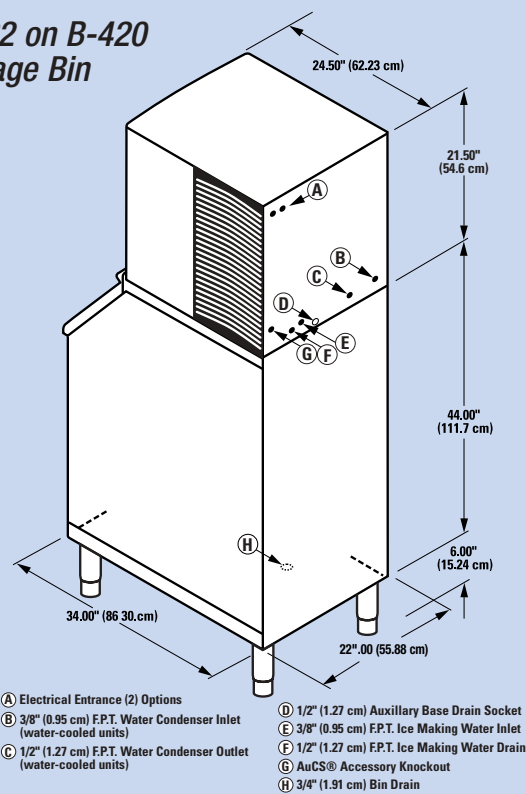
Space-Saving Designs



	S-422 B-420	S-422 B-400*
Height	76.50" 194.31 cm	64.50" 163.83 cm
Width	22.00" 55.88 cm	30.00" 76.20 cm
Depth	34.00" 86.30 cm	34.00" 86.30 cm
Bin Storage	310 lbs. 140.7 kgs.	290 lbs. 131.7 kgs.

Height includes adjustable bin legs 6.00" to 7.00", (15.24 to 17.78 cm) set at 6.00" (15.24 cm). For comparison purposes multiply ARI capacity by 1.3 (30%) to arrive at approximate "Application Rating Capacity."
* K-00141 bin adapter required.

S-422 on B-420 Storage Bin



Installation Note - Minimum Installation Clearance: Top/Sides are 8" (20.32 cm), Back is 5" (12.7 cm).

©2004 Manitowoc BCI. Continuing product improvement may necessitate change of specifications without notice. 2979



MANITOWOC ICE, INC.
2110 South 26th Street, P.O. Box 1720
Manitowoc, WI 54221-1720, USA
Ph: 920-682-0161 • Fax: 920-683-7589
Visit us online at www.manitowocice.com

