

Q-Model Series 130 Ice Cube Machine

New



Q-Model Series 130

- Up to 147* lbs. (67 kgs.) daily ice production
*Production rating outside the scope of ARI Standard 820.
- Only 26" (66.04 cm) wide, 26.50" (67.31 cm) deep, and 38.50" (82.55 cm) high on 6" (15.24 cm) legs
- 80 lb. (36.6 kg) ice storage capacity
- Slide up and in bin door tucks under ice machine top cover. Patented ice damper maximizes ice storage capacity
- Stainless steel exterior with the fit and finish of an appliance
- Patented cleaning and sanitizing technology
- R-404A CFC-free refrigerant
- Warranty
 - 5-year parts and 5-year labor coverage on ice machine evaporator
 - 5-year parts and 3-year labor coverage on ice machine compressor
 - 3 year parts-and-labor coverage on all other components



ISO 9001
Quality
System
Certified

THE RIGHT CLIMATE FOR LEADERSHIP

Manitowoc[®]


ICE CUBE MACHINES • ICE STORAGE BINS

Manitowoc Q-Model 130 Series

A seamless blend of thoughtful design, new technology and rugged construction.

Model	Cube size	Ice production lbs./Kgs. 24 hours	Power kWh/100 lbs.
QR-0130A	regular	84 lbs./38 Kgs.	17.1
QR-0131W	regular	114 lbs./52 Kgs.	10.5
QD-0132A	dice	90 lbs./41 Kgs.	16.0
QD-0133W	dice	123 lbs./56 Kgs.	9.8
QY-0134A	half-dice	90 lbs./41 Kgs.	16.0
QY-0135W	half-dice	123 lbs./56 Kgs.	9.8
Water usage/100 Lbs./45.4 Kgs. of Ice			
Potable Water: 38.4 gallons, 146 Liters			
Water-cooled Condenser: 187 gallons, 708 Liters			

* "A" or "W" following model number indicates "Air" or "Water" condensing unit.

 **Certified In Accordance With ARI Ice Storage Bins Certification Program, which is based on ARI Standard 820**

Ice Machine Electric

115/60/1. (208-230/60/1 also available.) For 230/50/1 see 50 cycle literature. 115/60/1 ice machines are factory pre-wired with a 6' (180 cm) power cord and NEMA 5-15P-plug configuration. 208-230/60/1 ice machines are factory pre-wired with a 6' (180 cm) power cord only, no plug is supplied.

Total Amps:

115/1/60	208-230/60/1
Air-cooled — 7.6 amps.	Air-cooled — 3.3 amps.
Water-cooled — 6.8 amps.	Water-cooled — 2.8 amps.

Maximum fuse size:

Air and Water-cooled — 15 amps.

HACR-type circuit breakers can be used in place of fuses.

Specifications

BTU Per Hour:

2,100 (average) 3,300 (peak)

Compressor:

Nominal rating: 1/3 HP

Cupra-Nickel Condenser:

(Water-cooled models)
Adds protection from corrosive water elements.

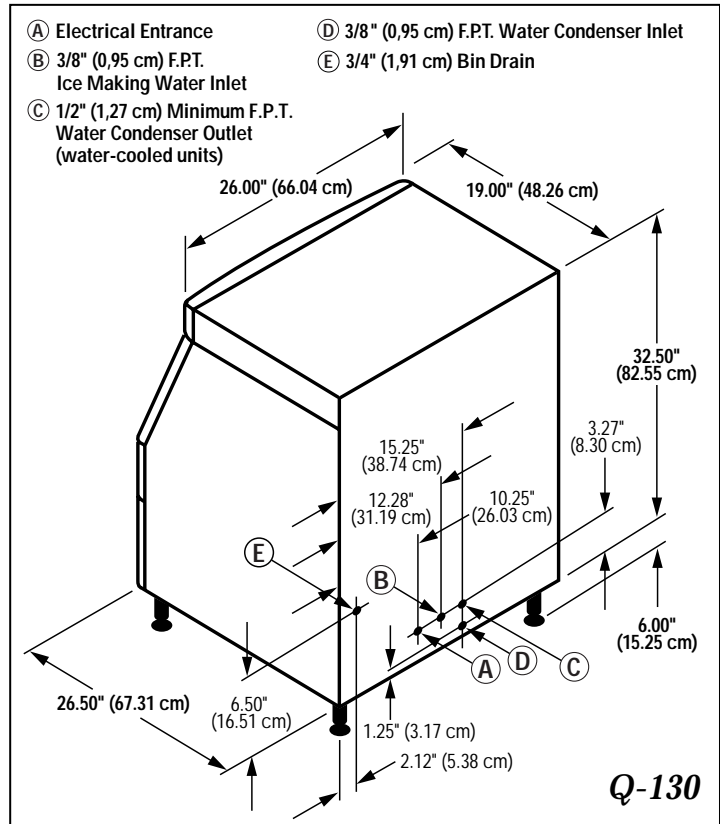
Operating Limits:

- Ambient Temperature Range: 35°-110°F (1.7°-43.3°C)
- Water Temperature Range: 33°-90°F (0.6°-32.2°C)
- Water Pressure Ice Maker Water In: Min 20 psi (137.9 kPa) Max 80 psi (551.1 kPa)
- Condenser Inlet Water In: (Water cooled only) Min. 20 psi (137.9 kPa) Max. 150 psi (1,034.2 kPa)



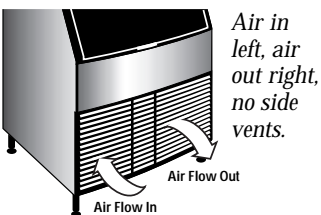
24-HOUR PRODUCTION †								lbs./kgs.
AIR-COOLED UNIT				WATER-COOLED UNIT				
air temp	water temp			air temp	water temp			
F	50°	70°	90°	F	50°	70°	90°	
°C	10°	21°	32°	°C	10°	21°	32°	
70°	130	110	95	70°	147	127	108	
21°	59	50	43	21°	67	58	49	
80°	120	105	90	80°	144	126	106	
27°	54	48	41	27°	65	57	48	
90°	105	90	80	90°	140	123	103	
32°	48	41	36	32°	63	56	47	

† Production for Dice and Half Dice cubes. Regular cube is 7% less than chart and kWh/100 lbs. increases 7%.

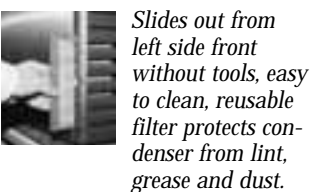


Installation Note - Recommended clearance for top, sides, and back is 5" (12.7 cm) however, there is no minimum clearance required.

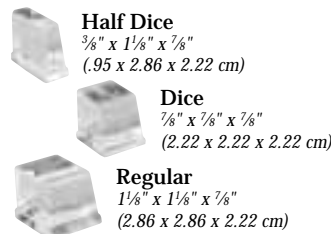
Air Flow Front View



Air Filter



3 Cube Sizes to Choose From



Front Access

Initiate ice, off and clean operations with simple upfront selector switch. No need to remove front panel.



THE RIGHT CLIMATE FOR LEADERSHIP

Consult your local Manitowoc Representative:

Manitowoc Ice, Inc.
2110 South 26th Street, P.O. Box 1720 • Manitowoc, WI 54221-1720, USA
Ph: 920-682-0161 • Fax: 920-683-7589
www.manitowocice.com

