

# Vertical Discharge Remote Condenser

For Q-Model Ice Cube Machines



JC-0895  
Remote Condenser

Remote, air-cooled condenser system improves efficiency and ice production... conserves energy.

Manitowoc remote condenser systems effectively dissipate heat at a convenient location, indoors or outdoors, away from the ice machine. This maximizes ice-making capability and minimizes air conditioning loads by lowering the ambient air temperature at the ice machine.

**Selection:** available for Q-model Series 450, 600, 800, 1000, 1300, and 1800 ice machines. Refer to ice machine specification sheet for equipment dimensions, production capacities, electrical requirements, and ice storage bin compatibility.

**Application:**

Single Q-Model Series Ice Machine	Remote Condenser
450	JC-0495
600 or 800	JC-0895
1000	JC-1095
1300	JC-1395
1800	JC-1895

**Installation:** condenser operation range from 20°F (-29°C) below zero to 120°F (49°C) above. Can be installed with up to 15" (38.1 cm) of bottom clearance.

**Remote Systems:** consist of a remote condenser and interconnecting refrigerant lines. All components are pre-charged with environmentally responsible refrigerant and have quick-connect fittings for convenient installation. Order ice cube machine, ice storage bin, and line set separately.

**Warranty:** 3 years, parts and labor. See warranty statement for complete details.

# Manitowoc Remote Condenser

For Q Model Ice Cube Machines.

## Installation Information and Dimensions:

Maximum Location Distance—combined vertical and horizontal distances from ice machine to condenser must comply with guidelines.

Maximum Line Length—100' (3,000 cm).\*

Maximum Vertical Rise—35' (1,050 cm) above ice machine.

Maximum Vertical Drop—15' (450 cm) below ice machine.

To calculate other acceptable horizontal and vertical combinations, refer to remote condenser installation instructions.

\*Remote condenser has refrigerant charge for up to 50' (1,500 cm) line length. Over 50' (1,500 cm) requires additional refrigerant charge at time of installation for Series 1300 and 1800 ice machines.

## Remote Q-Model Ice Machine

Model	Electrical Service*	Minimum Circuit Ampacity	Maximum Fuse size
450	115/60/1	13.6	20
600	208-230/60/1	9.3	15
800	208-230/60/1	11.9	20
1000	208-230/60/1	14.2	20
1300	208-230/60/1	18.4	30
1800	208-230/60/1	26.9	40

\*230/50/1 available. 308-415/50/3 also available for Series 1300 and 1800 only. Shaded box indicates 3 phase. Consult factory. HACR circuit breakers can be used in place of fuses.

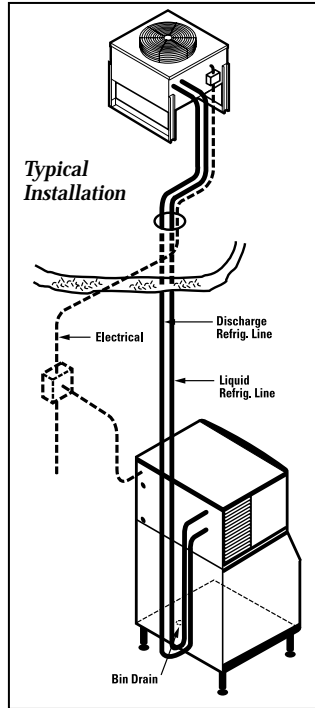
**Electric:** Electrical power to the remote condenser is intended to be supplied from the ice machine; however, if necessary, a separate electrical power source can be used.

## Q-Model Remote Condenser

Condenser Model	Matching Ice Machine	CONDENSER		Weight	
		Electrical Service*	Amperage	lbs.	kgs.
JC-0495	450	115/60/1	2.3	76	34
JC-0895	600 or 800	208-230/60/1	1.3	85	39
JC-1095	1000	208-230/60/1	1.3	92	42
JC-1395	1300	208-230/60/1	1.3	96	44
JC-1895	1800	208-230/60/1	1.3	108	49

\*230/50/1 or 308-415/50/3 available. Consult factory. HACR circuit breakers can be used in place of fuses.

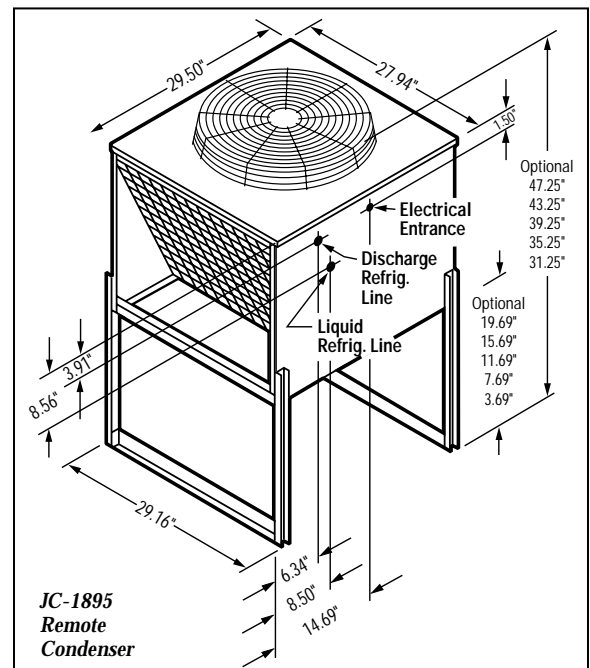
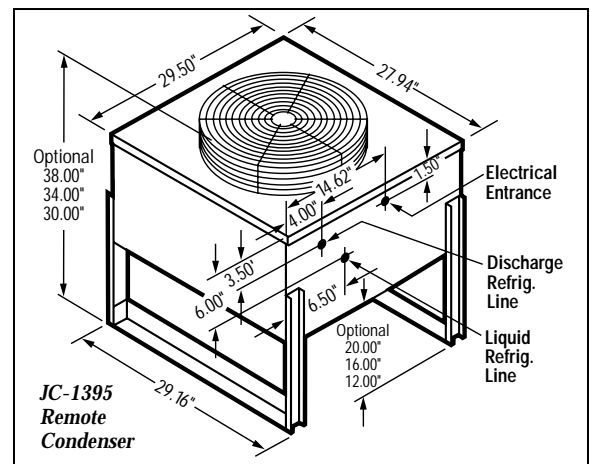
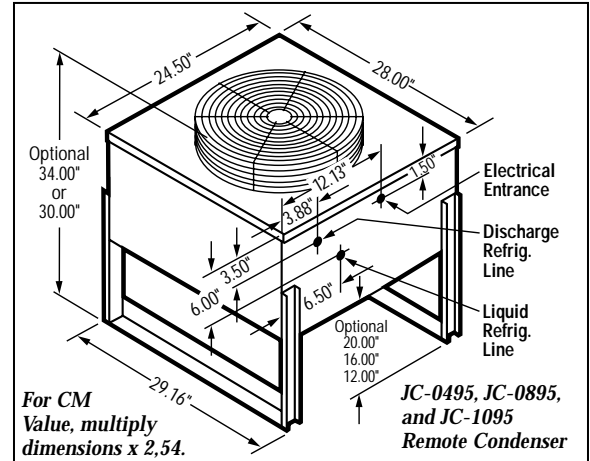
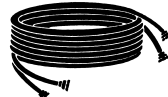
Manitowoc is an ISO 9001 Quality System Certified manufacturer of ice cube machines, ice storage bins, and floor-standing ice dispensers plus reach-in refrigerators and freezers. For more information about these products, contact our Wisconsin headquarters or the Manitowoc specialist near you.



## Standard Interconnecting Refrigerant Lines

Model	Line Length		Weight	
	ft.	cm.	lbs.	kgs.
R(*)-20-R-404A	20	600	11	5
R(*)-35-R-404A	35	1,050	17	8
R(*)-50-R-404A	50	1,500	24	11

\*RT prefix for Series 450, 600, 800, and 1000. RL prefix for Series 1300 and 1800. Order separately.



THE RIGHT CLIMATE FOR LEADERSHIP

Consult your local Manitowoc Representative:

Manitowoc Ice, Inc.  
2110 South 26th Street, P.O. Box 1720 • Manitowoc, WI 54221-1720, USA  
Ph: 920-682-0161 • Fax: 920-683-7589  
[www.manitowocice.com](http://www.manitowocice.com)

©1999 Manitowoc 9377B Fax - 11/99  
Continuing product improvement may necessitate change of specifications without notice.

