



# QuietQube® S-850C Remote Ice Cube Machine

Air-Cooled Ice Cube Machine  
with Patented CVD Technology®



**Manitowoc**



Series 850C Ice Cube Machine - 115V



CVD Condensing Unit - 230V



QuietQube® Series Remote System consists of a remote condensing unit, interconnecting refrigerant lines, ice machine head section, ice deflector and ice storage unit whether storage bin, countertop or floor-standing dispenser. All ordered separately. QuietQube ice machine with CVD condensing unit is designed as a Manitowoc system and not for use with any other ice machine or remote condenser brand

- Up to 770\* lbs. (349 kgs.) daily ice production

*\*Production rating outside the scope of ARI Standard 810.*

- Only 30" (76.2 cm) wide, 26.50" (67.3 cm) high
- Quiet operation eliminates most noise from the refrigeration system. Promotes relaxing atmosphere
- Patented CVD technology improves reliability and extends life of the compressor
- Ice machine is lighter in weight and 115 volt simplifies installation and reduces electrical installation cost
- Utility connections out the back or top of the unit maximize floor space and provide additional installation options
- Stainless steel exterior with the fit and finish of an appliance, enhances the display in any self-serve environment
- Patented cleaning and sanitizing technology
- Standard installation criteria facilitates easy replacement of existing remote condenser unit
- Warranty
  - 5-year parts and 5-year labor coverage on ice machine evaporator
  - 5-year parts and 3-year labor coverage on ice machine compressor
  - 3-year parts-and-labor coverage on all other ice machine, dispenser, and storage bin components



ISO 9001:2000  
Quality System Certified

**America's #1 Selling Ice Machine**

Ice Cube & Flake Machines • Ice Storage Bins • Ice Dispensers

**Manitowoc**  
Foodservice Group

# Manitowoc QuietCube® Series-850C Remote

## REMOTE AIR-COOLED ICE MACHINE

Model	Cube size	Ice production 24 hours		Power*	
		lbs.	kgs.	kWh/100 lbs.	
SD-0872C	dice	690	313	6.0 <i>1ph</i>	5.8 <i>3ph</i>
SY-0874C	half-dice	690	313	6.0 <i>1ph</i>	5.8 <i>3ph</i>

Water usage/100 lbs./45.4 kgs. of ice • Potable Water: 18 gallons, 68 liters

Ice machine for use with ice storage bin or ice dispenser and CVD condensing unit all ordered separately.  
 \*kWh per 100 lbs. is total power of ice machine and condensing unit. Ice machine is 1 ph only.  
 Condensing unit is 1 ph or 3 ph.

 Certified in Accordance with ARI Automatic Commercial Ice-Cube Machines (Batch-Type) Certification Program, which is based on ARI Standard 810

### Ice Machine Electric

**115/60/1 standard.** (230/50/1 also available, consult factory.)

**Total Amps:** 1.1

**Max. fuse size:** 15 amps

HACR-type circuit breakers can be used in place of fuses.

### Specifications

#### Operating Limits:

- Ambient Temperature Range: 40° to 110°F (4.4° to 43.3°C)
- Water Temperature Range: 40° to 90°F (4.4° to 32.2°C)
- Water Pressure Ice Maker Water In: Min. 20 psi (137.9 kPa) Max. 80 psi (551.1 kPa)



24-HOUR PRODUCTION †		lbs. kgs.		
REMOTE AIR-COOLED UNIT				
air temp	water temp			
°F	50°	70°	90°	
°C	10°	21°	32°	
-20° to 70°	770	710	670	
-29° to 21°	349	322	304	
90°	750	690	650	
32°	340	313	295	
100°	720	660	620	
38°	327	299	281	

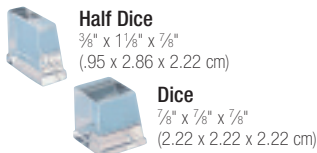
†Production for Dice and Half Dice cubes.

### AuCS®/SI Accessory

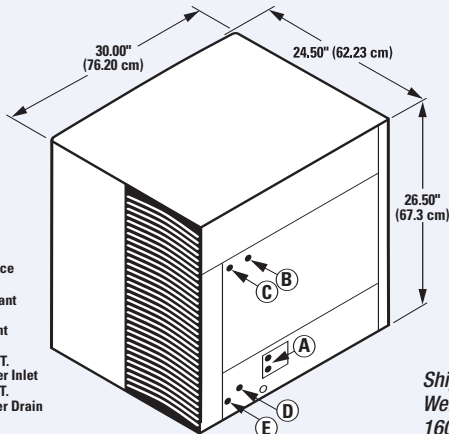


Automatic Cleaning System purchased factory installed in the machine or as an option for field retrofit.

### 2 Cube Sizes Available



### 850C Ice Machine



Shipping Weight: 160 lbs. 73 kgs.

## CVD 0885 REMOTE CONDENSING UNIT

### Installation Information and Dimensions:

Maximum Line Length—100' (30.5 m).  
 Maximum Vertical Rise\*—35' (10.7 m) above ice machine.  
 Maximum Vertical Drop—15' (4.5 m) below ice machine.



\*A rise over 20' (6 m) requires S-Trap Kit K-00166 - ordered separately.

### Condensing Unit Electric

**208-230/60/1 standard.**

208-230/60/3 and 230/50/1 also available. 50 Hz version of this model meets the international standard, IEC335-1, requirements for "tropical rating," the most severe duty rating an ice machine can obtain, (consult factory). HACR-type circuit breakers can be used in place of fuses. **Note:** QuietCube ice machine is wired independent of CVD condensing unit.

**Min. circuit ampacity:** 11.5 *1ph*  
 8.0 *3ph*

**Max. fuse size:** 20 amps *1ph*  
 15 amps *3ph*

HACR-type circuit breakers can be used in place of fuses.

#### BTU Per Hour:

12,000 (average) 18,000 (peak)

#### Compressor:

Nominal rating: 1-1/2 HP

#### Operating Limits:

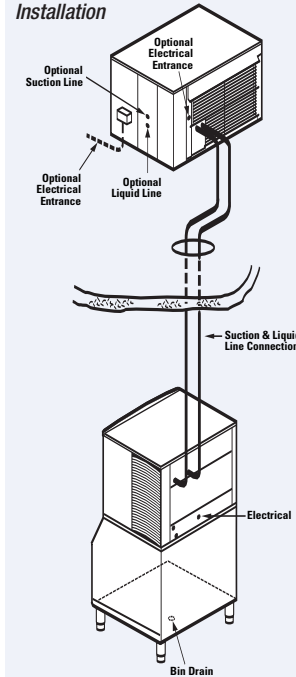
- Ambient Temperature Range: -20° to 130°F (-29° to 54°C)

### Standard Interconnecting Tubing

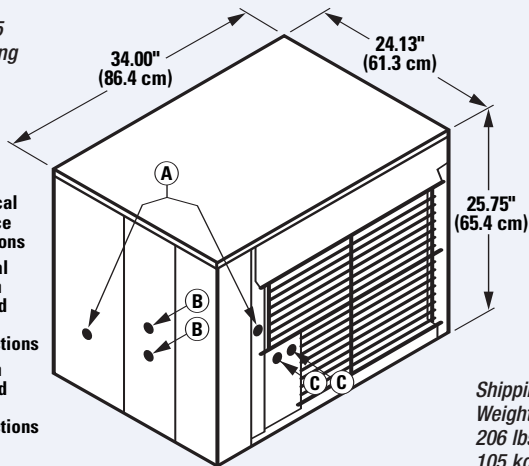
Model	Line Length		Weight	
	ft.	m.	lbs.	kgs.
RC-20	20	6	12	5
RC-30	30	9	20	9
RC-50	50	15	28	13



### Typical Installation



### CVD-0885 Condensing Unit



Shipping Weight: 206 lbs. 105 kgs.

©2005 Manitowoc. 5105 Continuing product improvement may necessitate change of specifications without notice. 2710B



MANITOWOC ICE, INC.  
 2110 South 26th Street, P.O. Box 1720  
 Manitowoc, WI 54221-1720, USA  
 Ph: 920-682-0161 • Fax: 920-683-7589  
 Visit us online at [www.manitowocice.com](http://www.manitowocice.com)

