



# Manitowoc AuCS® Accessory

**Compatibility:** The S-Model AuCS (AuCS – SI and AuCS – SO) accessory can be used only on S-Series ice machines.

**AuCS-SI Installation:** The AuCS-SI mounts internally in S-Series ice machines. S-Series ice machines can be ordered direct from the factory with the AuCS-SI installed. If the AuCS-SI is not factory installed, a trained and qualified technician must perform installation. Note: Line voltage is obtained from the ice machine. Refer to the Model/Serial Plate on the ice machine and the AuCS-SI to verify both voltages are the same.

**AuCS-SO Installation:** The AuCS-SO is mounted on the wall near the ice machine or on the bin with the included bracket and hardware. Note: Line voltage is obtained from the ice machine. Refer to the Model/Serial Plate on the ice machine and the AuCS-SO to verify both voltages are the same.

**Setting Run Frequency:** AuCS is set to run once approximately every 2 weeks. For less frequent cleanings, set selector switch as needed:

WEEKS	CYCLES
2	1,120
4	2,240
12	6,720

**Automatic Operation:** Automatic cleaning initiated by the AuCS system takes approximately 30 minutes to complete. The cleaning procedure includes a 1-minute cleaning cycle followed by 6 rinse cycles.

## Sequence of Operation:

### Cleaning or Sanitizing Cycle

The cleaner or sanitizer is dispensed from the AuCS accessory for 10-20 seconds during the beginning of the cycle. The water pump circulates water over the evaporator for 10 minutes. After 10 minutes of cleaning, the water dump valve energizes for 45 seconds to dump the wash water down the drain.

### Rinse Cycles

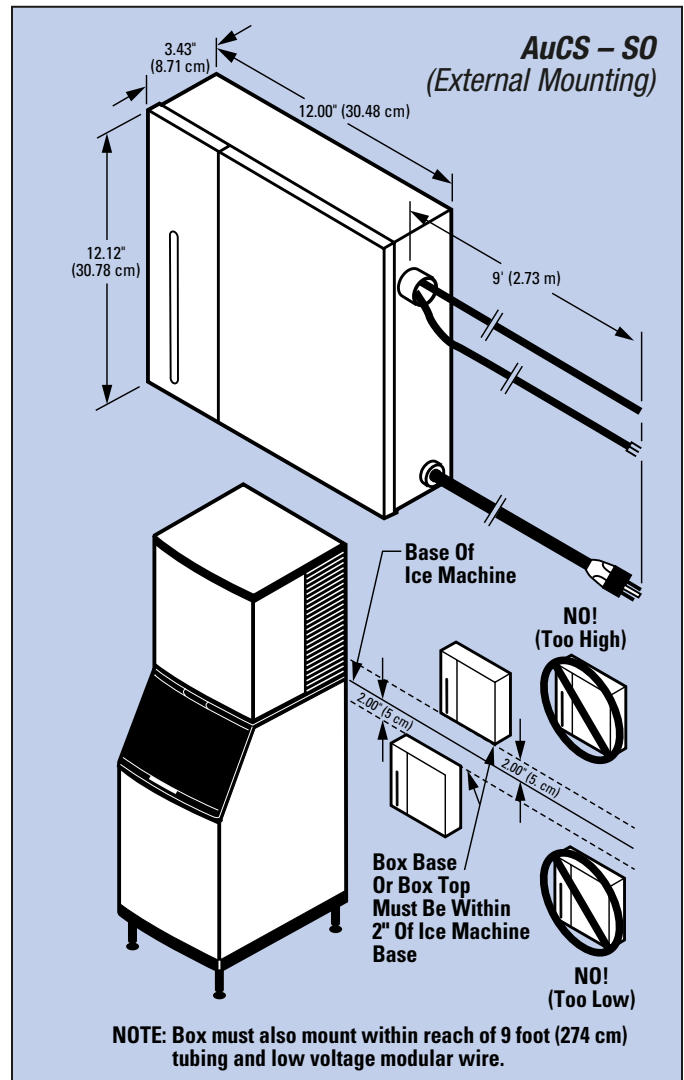
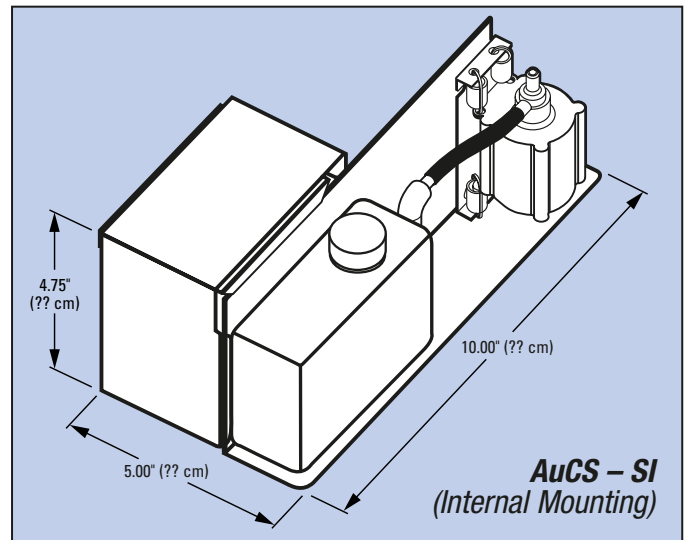
The entire rinse cycle is repeated 6 times. The water pump circulates water over the evaporator for 90 seconds. The water dump valve energizes to dump the rinse water down the drain for 45 seconds.

**Electric:** 115/60/1. 208-230/50/60/1 also available for both SI and SO models.

**Total Amps:** 0.3

**Max Fuse Size:** 15 amps

**Replenishment:** AuCS cleaning or sanitizing fluid is provided in either 16 oz. replacement bottles or 1 gallon containers for refilling.



©2004 Manitowoc 23794 - 7/04 Continuing product improvement may necessitate change of specifications without notice.



MANITOWOC ICE, INC.  
2110 South 26th Street, P.O. Box 1720  
Manitowoc, WI 54221-1720, USA  
Ph: 920-682-0161 • Fax: 920-683-7589  
Visit us online at [www.manitowocice.com](http://www.manitowocice.com)

