



Project: _____
 Location: _____
 Item #: _____
 Quantity: _____

Undercounter Refrigerators

Two Section Model with Stainless Steel Top

UR-48-SST

Case front, doors, top and ends of stainless steel. One piece ABS interior liner with stainless steel coil housing.

Two Section Model with Stainless Steel Top and Backsplash

UR-48-SBS

Case front, doors, top and ends of stainless steel. One piece ABS interior liner with stainless steel coil housing.



Standard Features:

- Interior Thermometer
- Easy Closing Doors with One Piece Magnetic Gasket
- One Piece Heavy-Duty Door Handles
- Heavy-Duty Vinyl Coated Steel Shelves
- High Density Foamed-in-Place Polyurethane Insulation
- High Impact One Piece ABS Interior Liner
- Plasticized Fin Coil
- Automatic Condensate Evaporator
- Energy Efficient Refrigeration System with Automatic Defrost
- Environmentally Friendly R-134a Refrigerant
- Cord and Plug Attached
- Adjustable Legs
- Completely Enclosed Cabinet Back

Optional Features and Accessories:

- Door Lock(s)
- Change Door Swing
- Stainless Steel Back
- 5" Diameter Heavy-Duty Swivel Casters with Brakes
- 3" Diameter Heavy-Duty Swivel Casters with Brakes
- Adjustable Stainless Steel Legs

Standard Features:

- Interior Thermometer
- Easy Closing Doors with One Piece Magnetic Gasket
- One Piece Heavy-Duty Door Handles
- Heavy-Duty Vinyl Coated Steel Shelves
- High Density Foamed-in-Place Polyurethane Insulation
- High Impact One Piece ABS Interior Liner
- Plasticized Fin Coil
- Automatic Condensate Evaporator
- Energy Efficient Refrigeration System with Automatic Defrost
- Environmentally Friendly R-134a Refrigerant
- Cord and Plug Attached
- Adjustable Legs
- Completely Enclosed Cabinet Back

Optional Features and Accessories:

- Door Lock(s)
- Change Door Swing
- Stainless Steel Back
- 5" Diameter Heavy-Duty Swivel Casters with Brakes
- 3" Diameter Heavy-Duty Swivel Casters with Brakes
- Adjustable Stainless Steel Legs

Approvals:



Victory Refrigeration specification sheets are available online at www.victory-refrig.com.

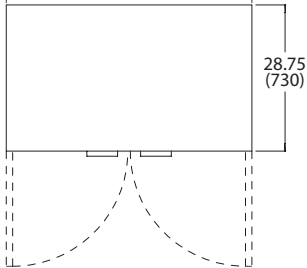
CHARACTERISTICS	UR-48-SST	UR-48-SBS
Width, Overall	48	48
Depth, Overall (incl. handles)	30 1/2	30 1/2
Height, Overall (incl. adj. legs)	36	40 3/8
Depth, Open Door 90°	52 1/8	52 1/8
Clear Door Opening, Width	23 3/8	23 3/8
Clear Full Door Opening, Height	25 3/4	25 3/4
Capacity Net (cubic feet)	12.5	12.5
No. of Full Doors	2	2
No. of Shelves	4	4
Shelf Area (square feet)	12.7	12.7
Cabinet Voltage	115/60/1	115/60/1
Feed Wires	2	2
Condensing Unit Voltage	115/60/1	115/60/1
Condensing Unit Size (HP)	1/5	1/5
Total Amperes	6.7	6.7

Crated dim. & wts.	Ht.	Width	Depth	Cu. Ft.	Lbs.
UR-48-SST	43	53 1/2	33	44.6	225
UR-48-SBS	43	53 1/2	33	44.6	225

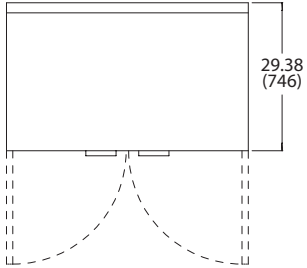
Dimensional tolerance ± 1/4" Metric dimensions (MM)

NOTE: If cabinet is located directly against wall and/or under low ceiling, a minimum clearance of 2" is required.

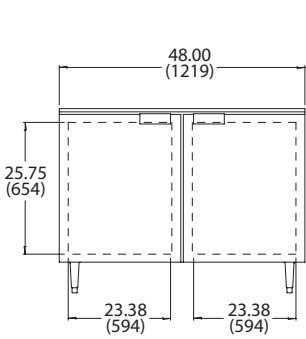
We reserve the right to change specifications and product design without notice. Such revisions do not entitle the buyer to corresponding changes, improvements, additions or replacements for previously purchased equipment.



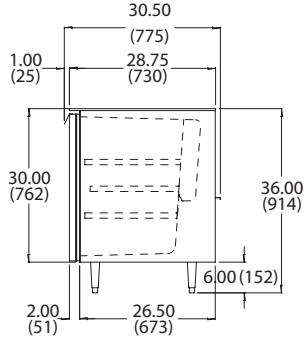
UR-48-SST TOP VIEW



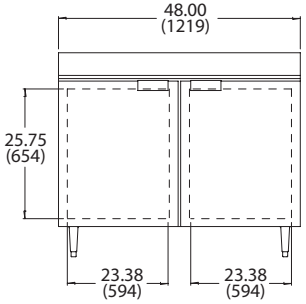
UR-48-SBS TOP VIEW



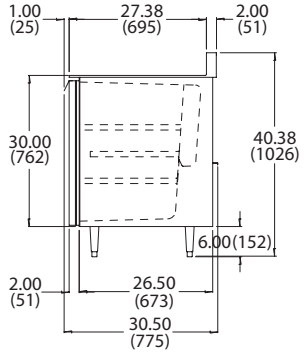
UR-48-SST FRONT VIEW



UR-48-SST SIDE VIEW



UR-48-SBS FRONT VIEW



UR-48-SBS SIDE VIEW

Continuous product development may necessitate specification changes and design without notice.



Victory participates in the KCL CADalog, the most current source of CAD symbols for foodservice designers worldwide. Symbols include standard equipment in plan, side, front and 3-D views, layered for FEDAI/FCSI recommended guidelines.