

Bar Maid®

ELECTRIC GLASS WASHERS



"SS" Series Glass Washer

The compact Bar Maid "SS" series Submersible is the ultimate combination of quality, reliability and versatility. The partially submerged sealed motor helps to maintain warm water temperature. Uses optional accessory brushes to clean almost any size or shape of glassware. Inexpensive to buy and built to stay that way.

Model
SS-100 & SS-101
Submersible

BAR MAID GLASS WASHERS CONSISTENTLY DELIVER

1. **Easy Installation...**
In virtually any sink in seconds.
2. **Crystal Clear Glasses...faster**
Five spinning brushes easily remove soils, fruit pulp and lipstick. Handling glasses once at the bar minimizes breakage saving time and money.
3. **Quality and Reliability...unmatched**
Built with the heaviest quality components in the industry, bronze bearings, polished 11 gauge stainless steel and the best motors to deliver long trouble-free life.
4. **Safety and Sanitation...fully approved**
Tested to the toughest UL, CSA and NSF Standards by ETL.
5. **Service that's Tough to Beat...**
Over 40 years as the industry leader and the choice of major hotels, restaurants and chains.

HEAVY DUTY GLASS WASHERS

**BUILT
TOUGHER!**



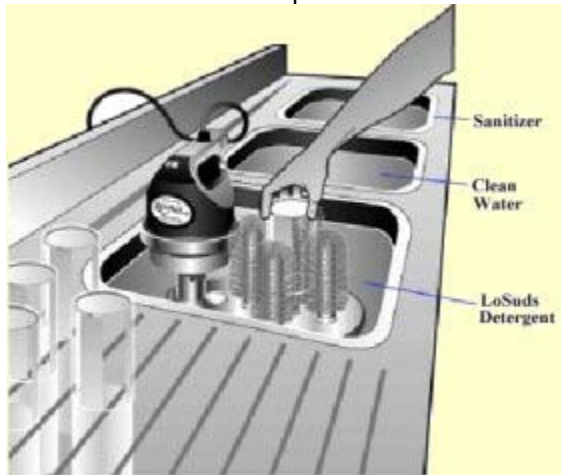
"A" Series Upright Glass Washer

Cleaner glasses faster with Bar Maid's "A" Series Washers. The powerful enclosed motor sits above the water and features our exclusive sealed lower bearing and Splashgard® for long reliable life. As with all Bar Maid products, the popular "A" Series Glass Washer is only available through the world's best Food Service Equipment Dealers.

Model
A-200 & A-205
Upright

1.) How is the system used?

Both models of glass washers are designed to fit virtually any bar sink. It is best used with a three compartment sink where three "tanks" of water are available. The Glass Washer is installed in the first compartment with "lukewarm" water to the fill line and a good liquid detergent like Bar Maid LoSuds. All machines must be either equipped with or plugged into a GFCI (Ground Fault Circuit Interrupter). The second compartment is a rinse (clean water), the third is clean water with a sanitizer. Simply turn the machine on, firmly grasp the bottom of the glass to be washed and place it over the center brush. Remove the glass after one or two seconds and dip into the second and then third tanks. Place upside down on the drain board and repeat.



2.) Why buy a Bar Maid five brush machine instead of a cabinet washer or under the counter washer?

The Bar Maid system is inexpensive to buy (a fraction of the others), requires very little maintenance and is extremely efficient. Glasses actually come cleaner than with other types of washers because of the brush contact on the inside and outside of the glass. When used properly, Bar Maid Glass Washers quickly and easily remove tough stuff like lipstick and fruit pulp...no more drinks returned because of dirty glasses. And because glasses don't have to be racked and moved to the kitchen, fewer glasses get broken.

3.) Can the barmaid system wash extra tall glasses?

All Glass Washers come with four 6" brushes and one taller 7.5" center brush to handle most sizes of glassware.

4.) What is the best type of detergent to use?

We strongly recommend liquid detergent such as Bar Maid LoSuds because it is non-abrasive. Powder detergents can build up on moving parts and cause premature wear. A good liquid is more likely to keep your machine cleaner and running smoother.

5.) Why are there 2 models, and what is the difference?

There are two different models although both do the same thing. The A-200 and A-205 (220v) is an "Upright" washer where the motor stands up and out of the water. If there is a space restriction behind the bar (bar is close to the sink), the SS-100 (SS-101 220v) is recommended. Both do a great job of getting glasses clean.