

## VPX SERIES

### ELECTRIC COUNTER CONNECTIONLESS STEAMER



#### SPECIFICATIONS

Single compartment electric connectionless steamer, Vulcan-Hart Model No. VPX \_\_\_\_. 304 stainless steel exterior. Stainless steel cooking compartment. Generator pan is 11 gauge stainless steel with stamped water level line. Efficient steam generating system requires no water or drain connection. Solid sheathed tubular elements embedded in 1" thick cast aluminum sealed to pan bottom with thermal transfer compound for even heat distribution. Controls include three position control switch (timed cooking / Off / constant cooking). 60 minute timer. Heavy duty "slamable" door and latch mechanism. 4" adjustable legs. Power required 208 or 240 volt, 60 Hz, 1 or 3 phase. Phase is field convertible.

Exterior dimensions:

VPX3: 21"w x 25"d x 25"h.

VPX5: 21"w x 25"d x 31½"h.

U L listed. Classified by U L to NSF std. #4. Meets ENERGY STAR® performance levels.

- VPX3** 3 pan capacity, 9 KW input.
- VPX5** 5 pan capacity, 15 KW input.

#### STANDARD FEATURES

- 304 series stainless steel exterior.
- Stainless steel cooking compartment.
- Generator pan is 11 gauge stainless steel with stamped water level line.
- Efficient steam generating system, requires no water or drain connection.
- Solid sheathed tubular elements (9 KW)(15 KW) embedded in 1" thick cast aluminum sealed to pan bottom with thermal transfer compound for even heat distribution.
- Controls include three position control switch (timed cooking / Off / constant cooking). 60 minute timer.
- Heavy duty "slamable door" and latch mechanism.
- 4" adjustable legs.
- Power required 208 or 240 volt, 60 Hz, 1 or 3 phase. Phase is field convertible.
- One year limited parts and labor warranty.

#### OPTIONS

- 480 volt, 60 Hz, 3 phase power supply, includes step down transformer.
- Second year extended limited parts and labor warranty.

#### ACCESSORIES

- Stainless steel pans:
  - 12" x 20" x 1" (solid)(perforated). Qty. \_\_\_\_\_.
  - 12" x 20" x 2½" (solid)(perforated). Qty. \_\_\_\_\_.
  - 12" x 20" x 4" (solid)(perforated). Qty. \_\_\_\_\_.
- Stainless steel pan cover. Qty. \_\_\_\_\_.
- 28" open leg stand with 24" x 28"h pan slides.
- 34" open leg stand with 24" x 28"h pan slides.
- Set of two universal pan slides.
- Stainless steel stand to stack two units.
- Removable sliding shelf. Qty. \_\_\_\_\_.



# VPX SERIES

## ELECTRIC COUNTER CONNECTIONLESS STEAMER

### EQUIPMENT CLEARANCE:

Rear: 6" Right and left side: 0"

### PAN CAPACITIES

MODEL	1" Deep	2 1/2" deep	4" deep
VPX3	6	3	2
VPX5	10	5	3

### WATER QUALITY STATEMENT:

The fact that a water supply is potable is no guarantee that it is suitable for steam generation. Your water supply must be within these general guidelines:

<b>SUPPLY PRESSURE</b>	20 - 60 psig
<b>HARDNESS*</b>	less than 3 grains
<b>SILICA</b>	less than 13 ppm
<b>TOTAL CHLORIDE</b>	less than 4.0 ppm
<b>pH RANGE</b>	7-8
<b>UN-DISSOLVED SOLIDS</b>	less than 5 microns

\* 17.1 ppm = 1 grain of hardness

Other factors affecting steam generation are iron content, amount of chloridation and dissolved gases. Water supplies vary from state to state and from locations within a state. Therefore it is necessary that the local water treatment specialist be consulted before the installation of any steam generating equipment.

### SERVICE CONNECTIONS:

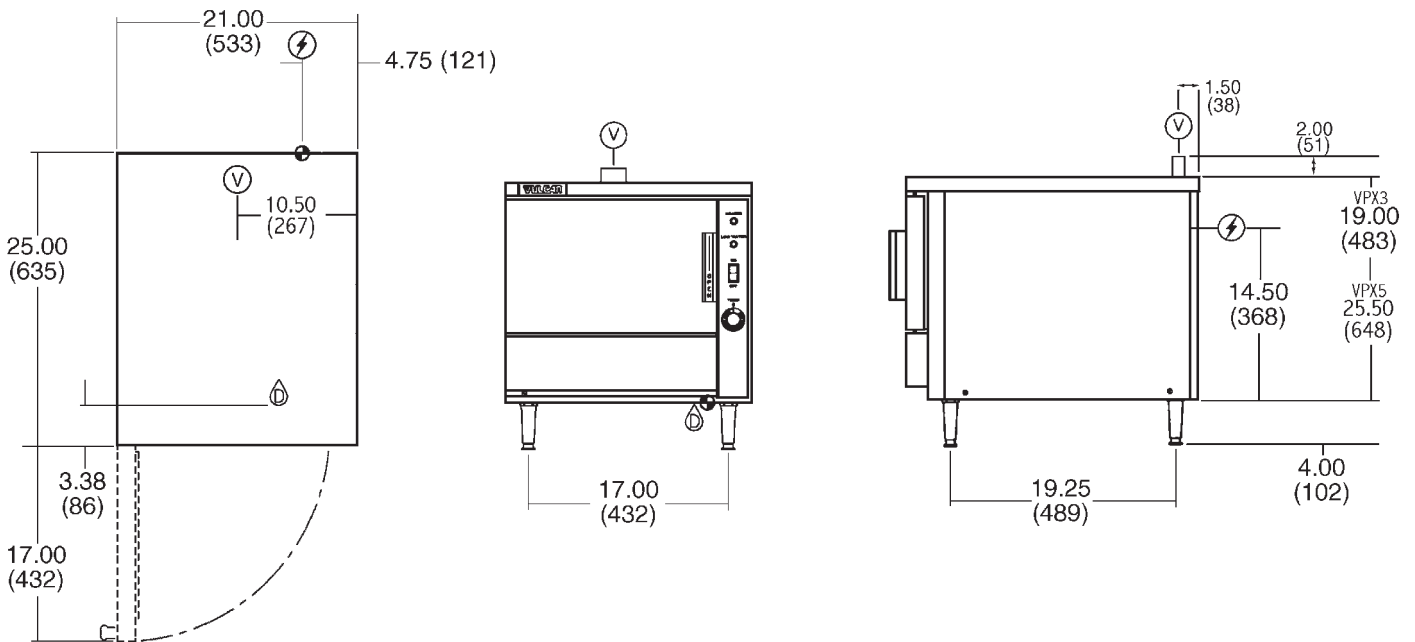
**Electrical Connection to Electrical Box:** 1 1/8" (29mm) conduit.

**Vent**

**Drain:** 1/2" NPT nipple.

### NOTE:

- Dimensions which locate the above connections have a tolerance of + or -3" (+ or -75 mm).
- Installation of backflow preventers, vacuum breakers and other specific code requirements is the responsibility of the owner and installer. It is the responsibility of the owner and installer to comply with local codes.
- Plastic drains are not recommended due to inherent limited temperatures of the plastic. Boiler purge temperatures may exceed 180°F. The installer may be required to provide means to reduce boiler purge water temperature to be that of the condensate temperature of 140°F or less.
- This appliance is manufactured for commercial installation only and is not intended for home use.



### ELECTRICAL CHARACTERISTICS

MODEL	KW	208V AMPS		240V AMPS		480V AMPS
		1 PH	3 PH	1 PH	3 PH	3PH
VPX3	9.0	43.3	25.0	37.5	21.7	10.8
VPX5	15.0	72.0	42.0	63.0	36.0	18.0

**NOTE:** In line with its policy to continually improve its products, Vulcan-Hart Company reserves the right to change materials and specifications without notice.

VULCAN-HART COMPANY, P.O. BOX 696, LOUISVILLE, KY 40201, TEL. 1-800-814-2028  
502-778-2791 QUOTE & ORDER FAX: 1-800-444-0602