

## GPC12 SERIES FLOOR MODEL GAS PASTA COOKER



Model GPC12S



### SPECIFICATIONS:

Gas pasta cooker, Vulcan-Hart Model No. (GPC12 with 12 gallon capacity cook tank) (GPC12S with 12 gallon capacity cook tank and rinse sink). Hot and cold water valves at the rear). Stainless steel front, sides and 6<sup>1</sup>/<sub>4</sub>" adjustable nickel plated, noncorrosive legs. 16 gauge 316 stainless steel tank with rear water fill. Overflow dam with 1<sup>1</sup>/<sub>4</sub>" diameter skim port. 1" full port ball type drain valve. 1<sup>1</sup>/<sub>4</sub>" N.P.T. drain line strainer with removable stainless steel perforated basket and 1<sup>1</sup>/<sub>4</sub>" drain to floor. 90,000 BTU/hr. input. Solid state temperature control adjusts from 190° to 212°F. Power "ON", "HEATING" and "HI-LIMIT" indicators. Hi-limit shut-off. Combination gas shut-off valve, pressure regulator and electronic pilot ignition system. 1/2" rear gas connection.

Exterior dimensions:

GPC12: 15<sup>1</sup>/<sub>2</sub>"w x 34<sup>3</sup>/<sub>4</sub>"d x 46<sup>1</sup>/<sub>4</sub>"h. Working height 36<sup>1</sup>/<sub>4</sub>".

GPC12S: 31"w x 34<sup>3</sup>/<sub>4</sub>"d x 56<sup>3</sup>/<sub>4</sub>"h. Working height 36<sup>1</sup>/<sub>4</sub>".

CSA design certified. NSF listed.

**SPECIFY TYPE OF GAS WHEN ORDERING.**

**SPECIFY ALTITUDE WHEN ABOVE 3,000 FT.**

- GPC12** 12 gallon capacity pasta cooker
- GPC12S** 12 gallon capacity pasta cooker with rinse sink

### STANDARD FEATURES

- Stainless steel front, sides and 6<sup>1</sup>/<sub>4</sub>" adjustable nickel plated, noncorrosive legs.
- 16 gauge 316 stainless steel tank with rear water fill, 12 gallon capacity.
- Overflow dam with 1<sup>1</sup>/<sub>4</sub>" skim port for starch removal and overflow protection.
- 1" full port drain valve.
- 1<sup>1</sup>/<sub>4</sub>" N.P.T. drain line strainer with removable stainless steel perforated basket and 1<sup>1</sup>/<sub>4</sub>" drain to floor.
- 90,000 BTU/hr. input.
- Solid state temperature control adjusts from 190° to 212°F. Power "ON", "HEATING" and "HI-LIMIT" indicators.
- Hi-limit shut-off.
- Combination gas shut-off valve, pressure regulator and electronic pilot ignition system.
- 1/2" rear gas connection.
- Tank cleaning brush.
- One year limited parts and labor warranty. Ten year limited tank warranty.

### OPTIONS

- Hot and cold water mixing valve with swivel head (mounts on rinse station only).
- Orifice change for altitudes above 3,000 ft. (no charge). Please specify altitude.
- Second year extended limited parts and labor warranty.

### ACCESSORIES

- Casters in place of legs.
- Fine mesh stainless steel bulk cook basket.
- Set of twelve plastic retherm portion cups. NSF approved.
- Set of six individual 5<sup>1</sup>/<sub>4</sub>" round fine mesh stainless steel cook and retherm baskets with base screen.
- Individual 5<sup>1</sup>/<sub>4</sub>" round fine mesh stainless steel cook and retherm basket.
- 3/4" x 4 ft. flexible gas hose with quick disconnect and restraining device.



# GPC12 SERIES

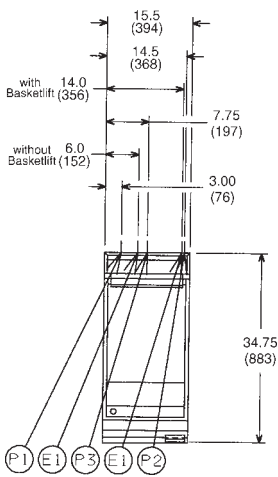
## FLOOR MODEL GAS PASTA COOKER

### SERVICE CONNECTIONS:

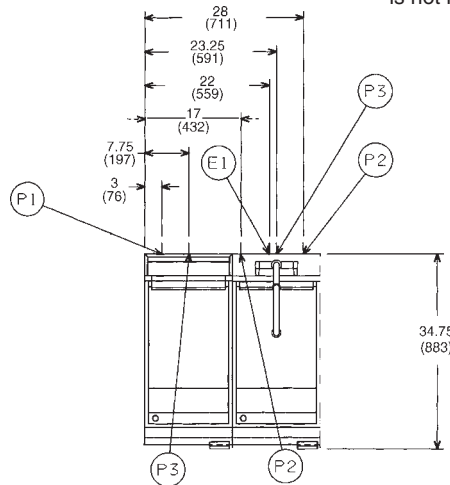
- (P1)** 1/2" NPT pipe gas connection, 14" above floor, 10 3/4" above floor with basket lift.
- (P2)** 3/4" garden hose water connection, 8 3/4" above floor.
- (P3)** 1 1/4" NPT drain.
- (E1)** Electrical connection, 120/60/1, 12 1/2" above floor.
- (P4)** 1 1/4" NPT built-in strainer.

### IMPORTANT

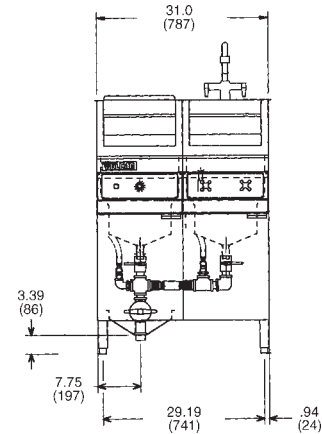
1. A combination valve with pressure regulator is provided with this unit.  
Natural Gas 4.0" (102 mm) W.C.  
Propane Gas 10.0" (254 mm) W.C.
2. An adequate ventilation system is required for Commercial Cooking Equipment. Information may be obtained by writing to the National Fire Protection Association, Batterymarch Park, Quincy, MA 02269. When writing refer to NFPA No. 96.
3. All models require a 6" (152 mm) clearance at both sides and rear adjacent to combustible construction.
4. All models require a 6" (152 mm) minimum clearance to adjacent open top burner units.
5. This appliance is manufactured for commercial installation only and is not intended for home use.



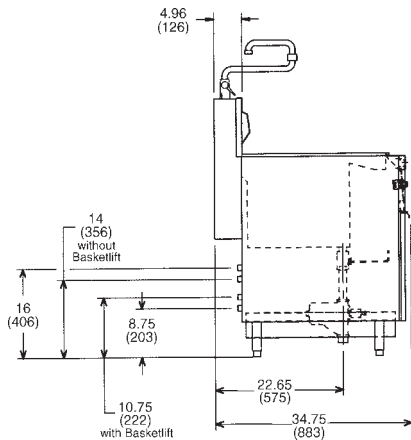
GPC12 Top View



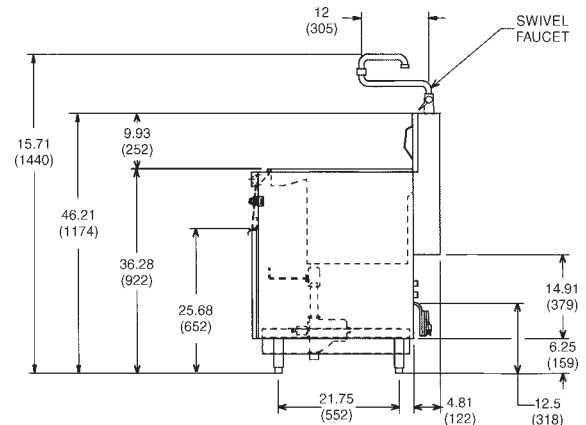
GPC12 & 12S Top View



GPC12 & 12S Front View



GPC12 & 12S  
Left Side View



GPC12 & 12S  
Right Side View

MODEL	WIDTH	DEPTH	OVERALL HEIGHT	WORKING HEIGHT	TANK SIZE	BTU/HR.	TANK CAPACITY	APPROX. SHP.WT.
GPC12	15 1/2"	34 3/4"	46 1/4"	36 1/4"	14" x 18 1/4"	90,000	12 gallons	250 lbs.
Rinse Sink	15 1/2"	34 3/4"	56 3/4"	36 1/4"	14" x 18 1/4"	—	14 gallons	190 lbs.

**NOTE:** In line with its policy to continually improve its products, Vulcan-Hart Company reserves the right to change materials and specifications without notice.