

# Panasonic

NE-3280

## Connectionless Steamer

Powered by  
Microwave Technology

**SONIC STEAMER**



**SONIC STEAMER**

- 3200 Watts\* of cooking power
- Holds two full-size 4" tall steam table pans with covers
- Top and bottom energy feed with 4 magnetrons (Heating elements)
- "Grab & Go" door handle

*Ideal for heavy volume steaming and microwave applications in restaurants, supermarkets, delicatessens, school food service, health care and banquet catering*

\* I.E.C. 705-88 Test Procedure



<http://www.panasonic.com/cmo>

## Pro



NE-1021



NE-1051



NE-1056

## Pro I



NE-1257/NE-1258



NE-1757



NE-2157

## SONIC STEAMER



NE-2180



NE-3280



## SONIC STEAMER

Steaming Rack Available

- 3200 Watts\* of power
- 4 magnetrons (heating elements)
- Top and bottom energy feed
- Large oven capacity: 1.6 ft<sup>3</sup>
- Holds two 4" tall, full-size steam table pans with covers
- Chef technical support
- 8 programmable memory pads
- 16 memory capability
- Shift key (AM-PM)
- Programmable or dial timer
- 3-stage cooking
- 5 power levels
- Drop down counter style door
- Self diagnostics
- Digital display
- Program list/Cycle counter
- Removable center shelf
- Tone control
- Stainless steel cabinet & cavity
- Easy to clean air filters
- See-through oven door
- Easy to change interior oven light

# NE-3280

## 3200 Watt\* Commercial Microwave Oven

### Technical Specifications

**Power source:** 208/230-240 V, 60 Hz, Single phase

**Receptacle required:** 30 Amp, NEMA 6-30R



**Frequency:** 2,450MHz

**Required power:** 208V (28.0A) 230-240V (25.3A)

**Output\*:** 3200 Watts

**Outer dimensions:** 25 1/8" w x 20 3/4" d x 18 1/2" h

**Cavity dimensions:** 21 1/8" w x 13" d x 9 1/4" h

**Net weight:** 137 lbs.

**Shipping weight:** 148 lbs.

**Shipping box size:** 29 1/2" w x 26 1/2" d x 22 1/2" h, 9.9 ft<sup>3</sup>

**Timer:** Maximum times for each stage of cooking — Hi and Med. power=15 minutes, Low, Def. and Hold power=60 minutes

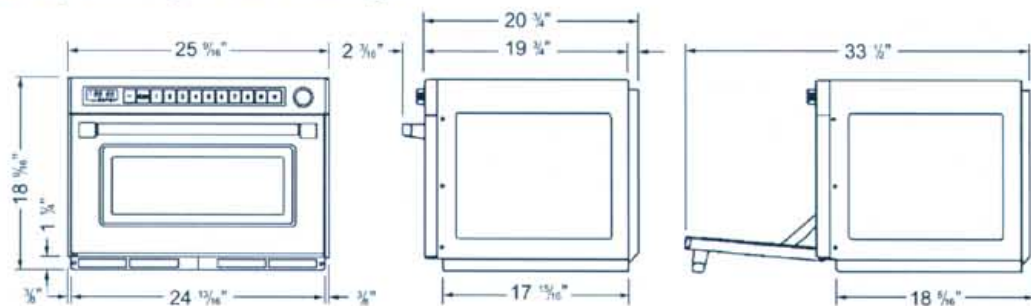
**Memory capability:** 16 programs

### To specify a Panasonic Connectionless Steamer:

The NE-3280 Commercial Microwave Oven meets or exceeds all safety performance and sanitation standards set for commercial food service microwave ovens by: UL, HHS, FCC and NSF.

Plus, oven shall have output power 3200 Watts\*, equipped with four magnetrons, top and bottom energy feed, able to accommodate two 4" tall full-size pans, drop down counter style door, Grab & Go door handle, removable center shelf, 8 programmable pads, 16 memory, shift key (AM-PM), 3-stage cooking, 5 power levels (HI, MED., LOW, DEF., HOLD), programmable lock, cycle counter, tone control, self diagnostics, dial timer to select cooking time, video training and Chef/Test kitchen technical support.

\* I.E.C. 705-88 Test Procedure. Specifications subject to change without notice.



# Panasonic

Panasonic Home and Commercial Products Company  
Commercial Foodservice Division  
One Panasonic Way, Panazip 4A-4, Secaucus, NJ 07094  
TEL: (201) 348-5377 FAX: (800) 553-0384  
<http://www.panasonic.com/cmo>