

Carts & Kiosks - Modular Bar Cart and Wing Cart

Contact Your Vollrath Sales Representative for Custom Carts & Kiosks!

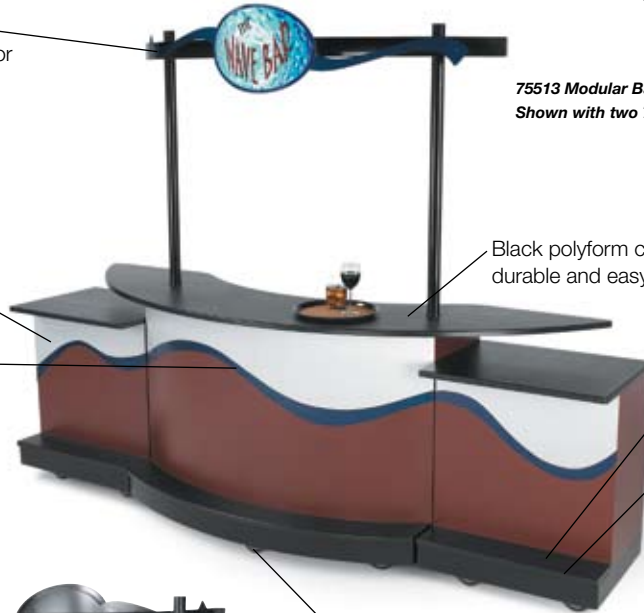
Option: Canopy provides attractive option for merchandising brand name or food type and attracting potential customers – options include:

- Custom signage
- 2" powder coated poles allows for unique shapes

Prepainted black or silver ACM (aluminum composite material) constructed base and toe kick

Option: Base options to match any décor

- Custom paint
- Custom laminate covered base (3 sides standard) and multi-layer application
- Vinyl graphic striping



75513 Modular Bar
Shown with two 75514 Wing Carts (sold separately)

Black polyform countertops (NSF certified) are durable and easy to clean

Durable polyform foot rest

1" (2.5cm) black bumper molding protects walls and prolongs life of bar cart

5" heavy-duty non-marking swivel casters for smooth and easy movement without leaving scuff marks

Option: 18" speed rail

Option: Wing Cart provides additional serving and storage areas

Option: Two full-size 8" deep ice pans, covers and false bottoms

Options
Adjustable shelving

Optional Features (Not Shown)

- Under counter GFI outlet box provides convenient and easy way to plug in appliances for use with bar
 - Lights and other options can be prewired to avoid costly aftermarket electrical wiring
 - Available with 15A or 20A service
 - 45lb capacity insulated ice bin with drain, includes cover - 21 1/4" x 15 1/4"
- 5-gallon or 7-1/2-gallon waste water tank for easy way to collect waste water and empty it
- Bottle opener and cap catcher



Allows for self-contained bar service area

Create a double sided bar setups with two bars and two wings

Wing cart are hinged for easy attachment to bar cart



Shown with optional Pionite Burgundy Crepe (#AP311) laminate, Chemetal Vertical Venetian (#226) laminate and blue vinyl striping

Carts & Kiosks—Modular Bar Cart 75513 and Wing Cart - 75514

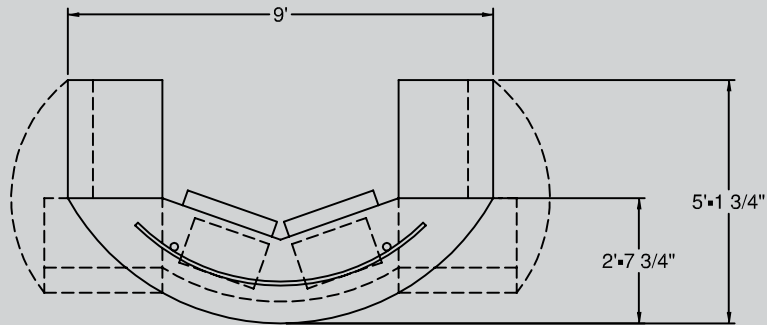


Setting the Standard™

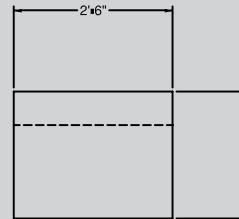
Carts & Kiosks - Modular Bar Cart and Wing Cart

75513 Modular Bar Cart / 75514 Wing Cart

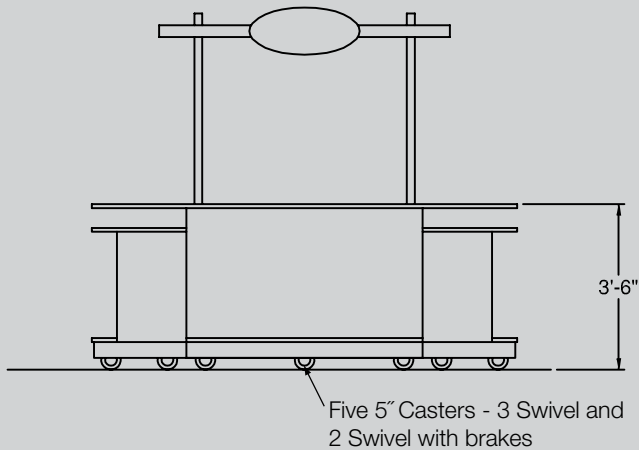
Curved Bar Plan - Top View
75513 cart shown with two 75514 carts



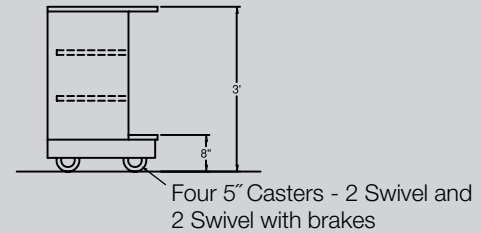
Wing Cart (75514) Top View



Curved Bar (75513) Elevation



Wing Cart (75514) Side View



Note: Specify side required for hinge attachment

OPTIONAL
Electrical Service



The Vollrath Company, L.L.C.
1236 North 18th Street
Sheboygan, WI 53082-0611 USA
Customer Service: 800.628.0830
Equipment Service: 800.628.0832
Main PH: 920.457.4851
Fax: 920.459.6573
Form L35617 Rev 7/06



Setting
the **Standard**[™]