

Carts & Kiosks - Reception Counters - Round (75510); Square (75509)

Contact Your Vollrath Sales Representative for Custom Carts & Kiosks!

Prepainted black or silver ACM (aluminum composite material) constructed base

- Lightweight and durable
- Safe for outdoor use
- Incredibly strong and allows for unique shapes

Option: Base Options to match any décor

- Custom paint
- Custom graphics for front side
- Custom laminate covered base (3 sides standard)

Durable Polyform base



75509 Shown with optional laminate - Formica® Quilted Aluminum (5163-15)

Option: Undercounter polyform shelf

Black polyform countertops and work surface (NSF certified) are durable and easy to clean



Option: Undercounter reading light

Molded lip keeps paperwork in place

Optional Features (Not Shown)

- Under counter GFCI outlet box provides convenient and easy way to plug in any type of appliance for use with cart
 - Lights and other options can be prewired to avoid costly aftermarket electrical wiring
 - Available with 15A or 20A service
- Lighting options provide required light with 15A service as needed—choice of two styles
 - Gooseneck reading light
- Storage area with hinged door with paddle latch offers convenient way to secure supplies

75510 Shown with optional laminate - Formica® Chestnut Burl Woodgrains (1136-90)

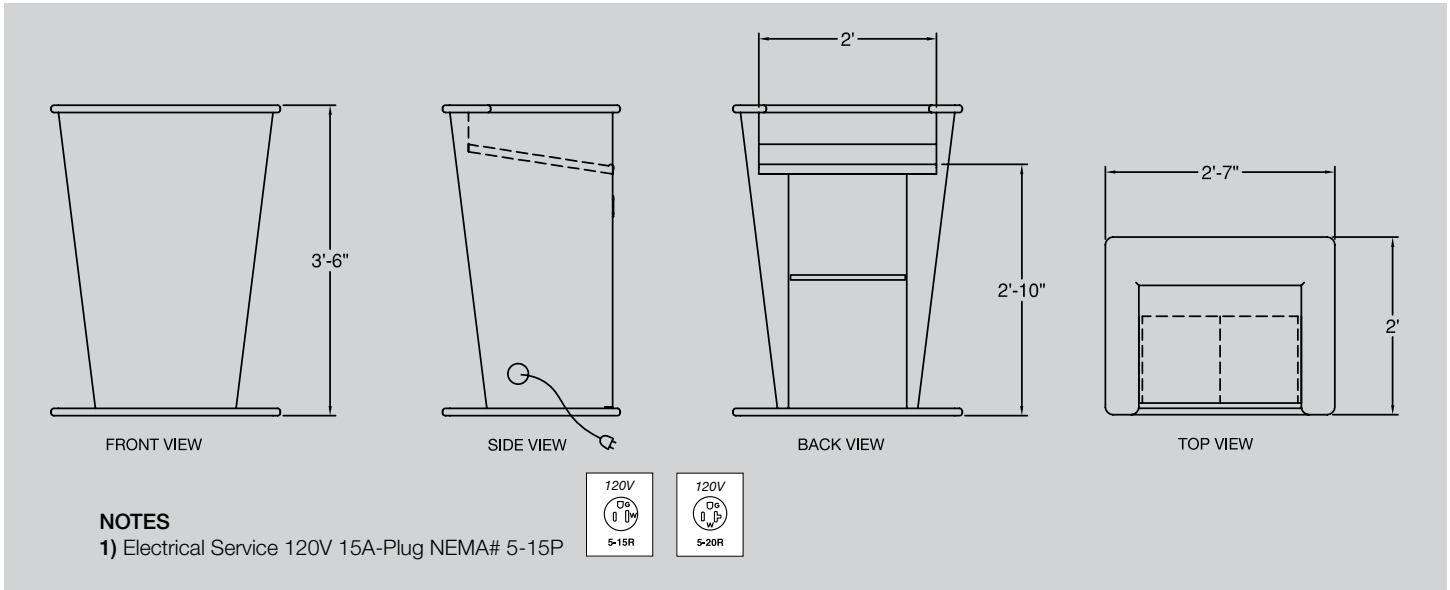
Carts & Kiosks—Reception/Hostess Stand - Round (75510); Square (75509)



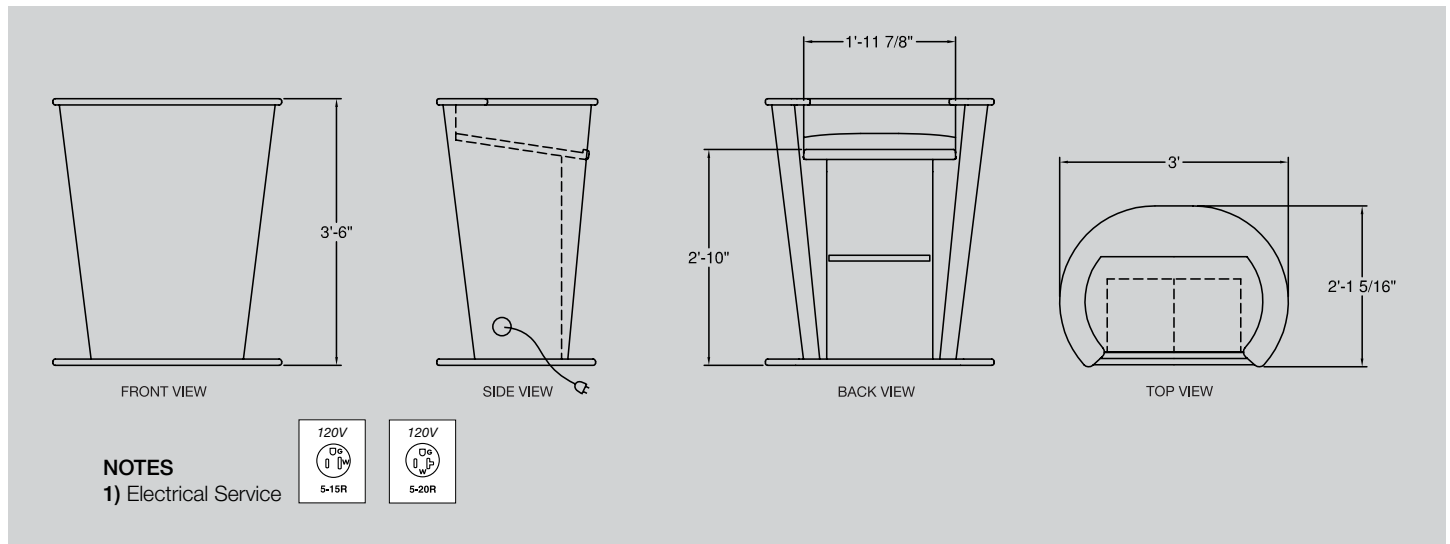
Setting the Standard™

Carts & Kiosks - Reception Counters - Round (75510); Square (75509)

75509 Square Reception/Hostess Stand



75510 Round Reception/Hostess Stand



The Vollrath Company, L.L.C.
1236 North 18th Street
Sheboygan, WI 53082-0611 USA
Customer Service: 800.628.0830
Equipment Service: 800.628.0832
Main PH: 920.457.4851
Fax: 920.459.6573
Form L35614 Rev 7/06



Setting
the Standard™