

Carts & Kiosks - Cashier Cart

Contact Your Vollrath
Sales Representative
for Custom Carts
& Kiosks!

Carts & Kiosks—Cashier Cart 75506

Polyform
countertops
(NSF Certified)
are durable and
easy to clean.



Option: Base Options to
match any décor
-Custom paint
-Custom laminate covered
base (3 sides standard)

Prepainted black or silver ACM
constructed base and toe kick
-Lightweight and durable
-Safe for outdoor use
-Incredibly strong and allows for
unique shapes

Option:
-ACM storage door with locking
paddle latch (1)
-Locking drawer

Open storage



Optional Features (Not Shown)
■ 15 or 20 amp electrical service

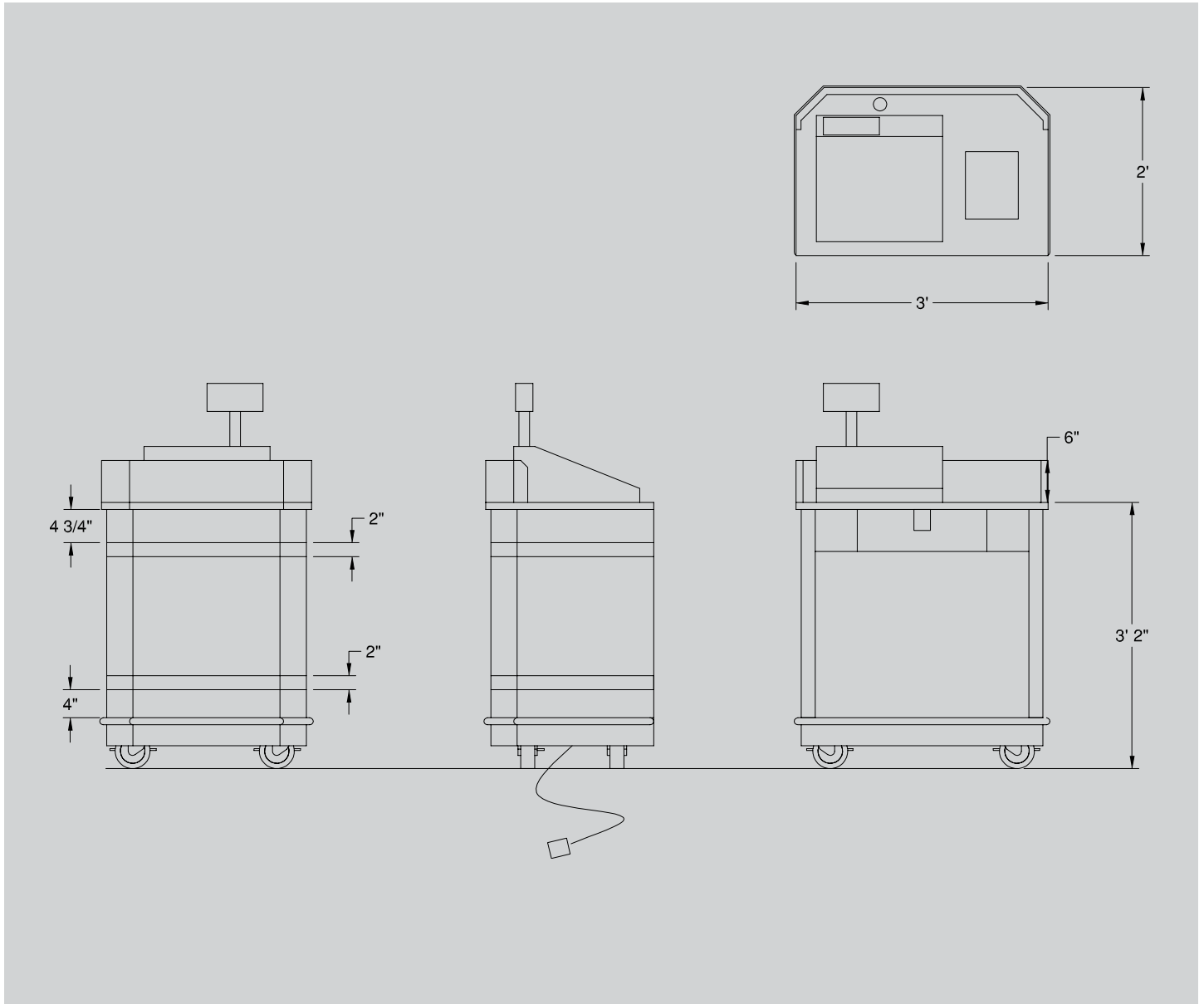
Option: Heavy-duty non-marking swivel casters for smooth
and easy movement without leaving scuff marks.



Setting
the Standard™

Carts & Kiosks - Cashier Cart

75506 Cashier Cart



The Vollrath Company, L.L.C.
1236 North 18th Street
Sheboygan, WI 53082-0611 USA
Customer Service: 800.628.0830
Equipment Service: 800.628.0832
Main PH: 920.457.4851
Fax: 920.459.6573
Form L35628 Rev.8/06



Setting
the Standard™