

Carts & Kiosks - Standard Kiosk

Contact Your Vollrath Sales Representative for Custom Carts & Kiosks!

Carts & Kiosks—Standard Kiosk 75505

Option: Base Options to match any décor

- Custom paint
- Custom laminate covered base (3 sides standard)

1" (2.5 cm) black bumper molding protects walls and prolongs life of condiment cart.

Seven heavy-duty non-marking swivel casters for smooth and easy movement without leaving scuff marks- 5 swivel and 2 swivel with brakes.



Option: ACM adjustable canopy provides attractive method for merchandising brand name or food type and attracting potential customers.

- Custom paint color for canopy
- 2" adjustable powder coated poles for canopy (set of 2)

Polyform countertops (NSF Certified) are durable and easy to clean.

Stainless steel push bar

Prepainted black or silver ACM constructed base and toe kick

- Lightweight and durable
- Safe for outdoor use
- Incredibly strong and allows for unique shapes



Option: Pull out water system with water heater and pump, 5 gallon fresh and 7-1/2 gallon waste tanks, 20A electrical service, provides compact, convenient vehicle for hand washing and increases effective sanitation.

Optional Features (Not Shown)

- 15, 20, or 30 amp electrical service
- Track lights including 20A electrical service
- 5' clips style breath guard
- ACM storage door with locking paddle latch (1)



Option: Beverage Air UCR 27 refrigerator

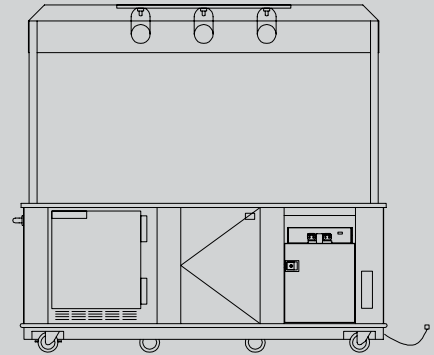
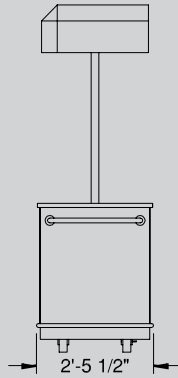
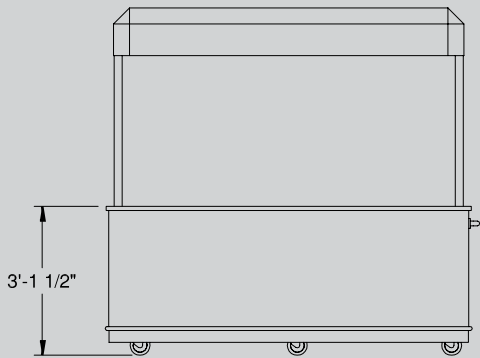
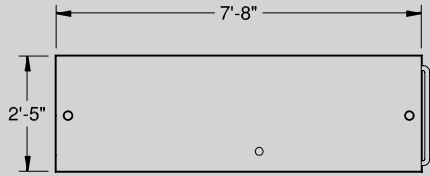
Open storage



Setting the Standard™

Carts & Kiosks - Standard Kiosk

75505 Standard Kiosk



The Vollrath Company, L.L.C.
1236 North 18th Street
Sheboygan, WI 53082-0611 USA
Customer Service: 800.628.0830
Equipment Service: 800.628.0832
Main PH: 920.457.4851
Fax: 920.459.6573
Form L35627 Rev. 8/06



Setting
the *Standard*[™]