

Carts & Kiosks - Condiment Cart

Contact Your Vollrath
Sales Representative
for Custom Carts
& Kiosks!

Carts & Kiosks—Condiment Cart 75504



Optional Features (Not Shown)

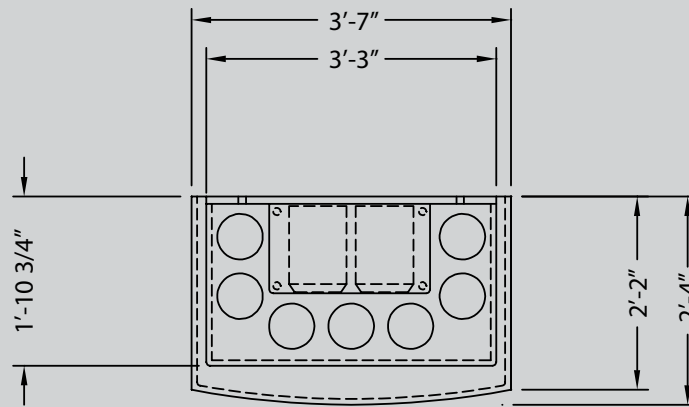
- 15 or 20 amp electrical service



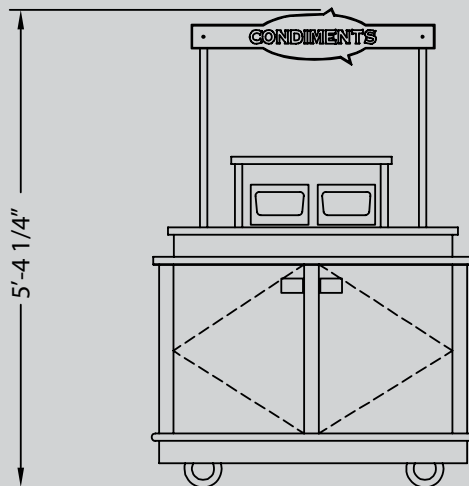
Setting
the Standard™

Carts & Kiosks - Condiment Cart

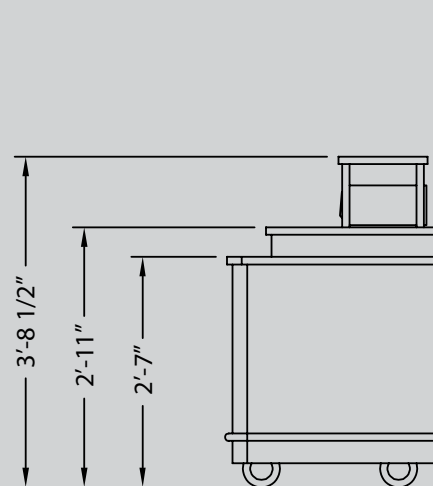
75504 Condiment Cart



TOP VIEW



FRONT VIEW



SIDE VIEW

The Vollrath Company, L.L.C.
1236 North 18th Street
Sheboygan, WI 53082-0611 USA
Customer Service: 800.628.0830
Equipment Service: 800.628.0832
Main PH: 920.457.4851
Fax: 920.459.6573
Form L35626 Rev. 8/06



Setting
the Standard™