



Project:

Item Number:

Quantity:

Modular Drop-In: Soup Well

The Vollrath Company, L.L.C.

## MODULAR DROP-IN: SOUP WELL



*Modular Drop-In: Soup Well*

### DESCRIPTION

The modular drop-in is designed for top-mount installation and does not require hard-wiring. The drop-in comes complete with a six-foot power cord with plug and a six-foot control cord for remote installation.

Flat flange with gasket ensures firm fit against countertop.

4 Qt. soup wells use 480W elements and 7 and 11 Qt. use 720W elements for efficient low cost operation.

Stainless steel drain nipple is welded to interior well to ensure long service life.

Stainless steel wells are designed to hold appropriate size vegetable insets and allow sufficient water capacity to ensure maximum moist heat operation.

### MODELS:

36460	4-1/8 Qt., 100-120V, Infinite Control, Standard Drain
36461	4-1/8 QT., 208-240V, Infinite Control, Standard Drain
36462	7-1/4 Qt., 100-120V, Infinite Control, Standard Drain
36463	7-1/4 Qt., 208-240V, Infinite Control, Standard Drain
36464	11 Qt., 100-120V, Infinite Control, Standard Drain
36465	11 Qt., 208-240V, Infinite Control, Standard Drain
36460-10	4-1/8 Qt., 100-120V, Thermostatic Control, Standard Drain
36461-10	4-1/8 QT., 208-240V, Thermostatic Control, Standard Drain
36462-10	7-1/4 Qt., 100-120V, Thermostatic Control, Standard Drain
36463-10	7-1/4 Qt., 208-240V, Thermostatic Control, Standard Drain
36464-10	11 Qt., 100-120V, Thermostatic Control, Standard Drain
36465-10	11 Qt., 208-240V, Thermostatic Control, Standard Drain

### FEATURES

- Top is 22-gauge stainless steel, 18-8 Type 304.
- Molded breaker gasket fitted under drip-edge.
- Flat work surface around opening.
- Deep-drawn stainless steel well is 22-gauge, 18-8 stainless.
- 4 Qt. soup wells use 480W elements and 7 and 11 Qt. use 720W elements for efficient low cost operation.
- Standard drain is 3/4" stainless fitting welded to pan with ball valve shutoff below exterior housing.
- Exterior housing is 22-gauge stainless.
- Drop-in supplied with stainless steel control panel.
- Control wires contained in flexible rubber cord.
- Unit comes with cord and plug and does not require hard-wiring installation.
- Full one year parts and labor warranty.

### Approvals

<b>Date:</b>
--------------

### Agency Listings



Setting the Standard™

www.vollrathco.com

The Vollrath Company, L.L.C.  
 1236 North 18th Street  
 Sheboygan, WI 53082-0611  
 U.S.A.  
 Main Tel: 800.624.2051  
 Service Tel: 800.628.0832  
 FAX: 800.752.5620

Vollrath of Canada, Ltd.  
 6320 Danville Road, Unit 1  
 Mississauga, Ontario L5T 2L7  
 Canada  
 Tel: 905.565.1167  
 Tel: 800.695.8560  
 FAX: 905.565.1168

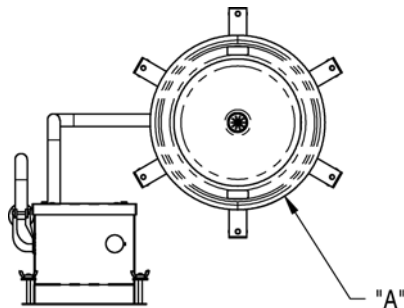
## MODULAR DROP-IN: SOUP WELL

### MODELS:

36460	4-1/8 Qt., 100-120V, Infinite Control, Standard Drain	36460-10	4-1/8 Qt., 100-120V, Thermostatic Control, Standard Drain
36461	4-1/8 Qt., 208-240V, Infinite Control, Standard Drain	36461-10	4-1/8 Qt., 208-240V, Thermostatic Control, Standard Drain
36462	7-1/4 Qt., 100-120V, Infinite Control, Standard Drain	36462-10	7-1/4 Qt., 100-120V, Thermostatic Control, Standard Drain
36463	7-1/4 Qt., 208-240V, Infinite Control, Standard Drain	36463-10	7-1/4 Qt., 208-240V, Thermostatic Control, Standard Drain
36464	11 Qt., 100-120V, Infinite Control, Standard Drain	36464-10	11 Qt., 100-120V, Thermostatic Control, Standard Drain
36465	11 Qt., 208-240V, Infinite Control, Standard Drain	36465-10	11 Qt., 208-240V, Thermostatic Control, Standard Drain

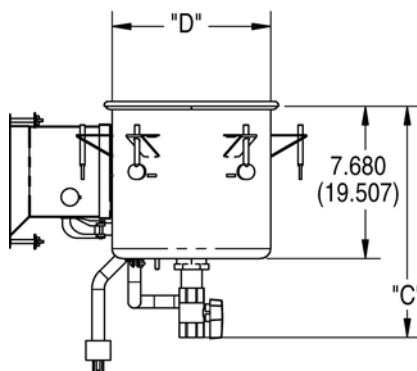
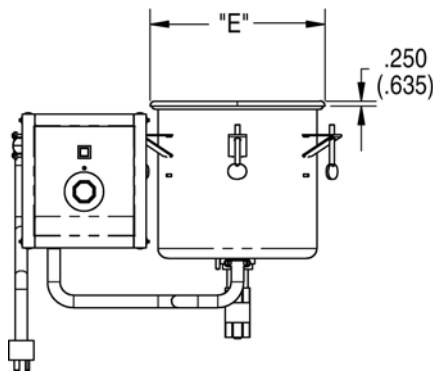
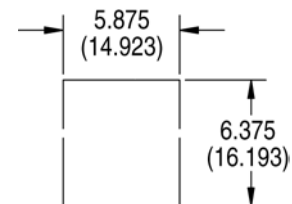
### DIMENSIONS

□ Dimensions shown in inches (cm).

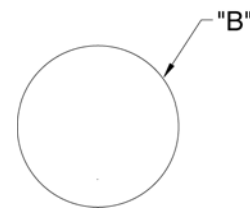


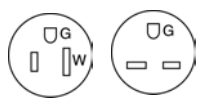
A = diameter over flange  
 B = diameter of cutout  
 C = overall height  
 D = well outer diameter  
 E = outside diameter

#### Control Panel Cutout



#### Round Well Cutout



Item	Capacity	A	B	C	D	E	Voltage	Watts	Amps	Plug	 5-15R 6-15R Receptacle
36460 36460-10	4-1/8 Qt.	8.813 (22.385)	8.250 (20.955)	11.672 (29.647)	8.000 (20.32)	8.813 (22.385)	120V, 50/60 Hz	480	4.0	5-15P	5-15R
36461 36461-10	4-1/8 Qt.	8.813 (22.385)	8.250 (20.955)	11.672 (29.647)	8.000 (20.32)	8.813 (22.385)	208/240V, 50/60 Hz	480-640	2.3 - 2.7	6-15P	6-15R
36462 36462-10	7-1/4 Qt.	11.188 (28.418)	10.562 (26.827)	11.672 (29.647)	10.312 (26.192)	11.188 (28.418)	120V, 50/60 Hz	720	6.0	5-15P	5-15R
36463 36463-10	7-1/4 Qt.	11.188 (28.418)	10.562 (26.827)	11.672 (29.647)	10.312 (26.192)	11.188 (28.418)	208/240V, 50/60 Hz	720-960	3.5 - 4.0	6-15P	6-15R
36464 36464-10	11 Qt.	12.813 (32.545)	12.250 (31.115)	11.672 (29.647)	12.00 (30.48)	12.813 (32.545)	120V, 50/60 Hz	720	6.0	5-15P	5-15R
36465 36465-10	11 Qt.	12.813 (32.545)	12.250 (31.115)	11.672 (29.647)	12.00 (30.48)	12.813 (32.545)	208/240V, 50/60 Hz	720	3.5 - 4.0	5-15P	6-15R



www.vollrathco.com

The Vollrath Company, L.L.C.  
 1236 North 18th Street  
 Sheboygan, WI 53082-0611  
 U.S.A.  
 Main Tel: 800.624.2051  
 Service Tel: 800.628.0832  
 FAX: 800.752.5620

Vollrath of Canada, Ltd.  
 6320 Danville Road, Unit 1  
 Mississauga, Ontario L5T 2L7  
 Canada  
 Tel: 905.565.1167  
 Tel: 800.695.8560  
 FAX: 905.565.1168