



HyPerSteam Pressureless Steamer model HY-6E

Description

Steamer shall be a Groen Model HY-6E stainless steel pressureless steamer with twin atmospheric 9KW electric steam generators, for total power input of 18KW, per bulletin 140796, as follows:

Construction

Steamer cavities and cabinet base shall be all stainless steel construction. Steamer unit back, left side, top and front panels shall be a unitized body, with removable right side panel providing access to internal components.

Steamer doors are all stainless steel, with strong continuous hinges and are field-reversible for left or right-swing. Doors shall be insulated and provided with a one-piece, replaceable seal. Easy-open handle and latch shall provide positive lock and seal when door is pushed or slammed shut.

Hidden magnetic door switch cuts power to blower and cuts power to generator when the door is opened. Pan support racks shall be polished stainless steel and removable for easy cleaning. Wide drip sink with condensate drain is positioned under cavity doors.

21 5/8" wide cabinet base shall have stainless steel frame with removable front, side and back panels standard. Cabinet base shall be provided with 6" legs with adjustable bullet feet.

Finish

Cabinet exterior, including door, shall be finished to a No. 4 uniform finish. Cavity interiors are polished stainless steel. Control panel face plates shall be smudge-resistant polyester film, ensuring maximum ease in cleaning and maintaining an attractive appearance.

UL & CUL Listing

Steamer shall be UL and CUL listed.

Sanitation

Unit shall be designed and manufactured to meet NSF codes and be NSF-listed. Unit shall allow operator to delime each steam generator through access ports on top without tools or service call. Push button auto-delime is standard.

Controls

Steamer cavity controls shall include an ON-OFF power touch pad; 60-minute electro-mechanical timer, with continuous steam setting; and READY light which indicates when cavity is ready for steaming. Auto-Delime button initiates deliming cycle.

Performance Features

Each steamer cavity shall have a powerful side-mounted blower, which increases steam velocity and provides efficient steam distribution throughout cavity and between loaded pans. Steam generators deliver 3KW input per 2 1/2" steam pan.

Heat-up time to READY shall be 8-10 minutes, under normal conditions. Cavities are kept warm and ready for instant steam between loads. No cavity warm up required, after READY light comes on.

Model HY-6E Shown



DELIME indicator light warns operator of need to delime generator. Unit will shut off if water level is low. When power switch is turned off, unit automatically blows down the steam generator, to reduce sediment build-up.

Cabinet Base Steam Source

Unit shall have twin electric-heated, cabinet-mounted steam generators to provide atmospheric steam to the chambers at a temperature of approximately 212° F. Each steam generator has an electric water sensor. Each 9KW electric heating element is replaceable from the front.

Pan Capacity

Pan Size	Per Cavity	Total
12 x 20 x 1"	6	12
12 x 20 x 2 1/2"	3	6
12 x 20 x 4"	2	4

Installation

Unit requires 208, 240 or 480 Volt, single or three-phase electric service. Unit requires two 3/4" NH cold water supply line and 1 1/2" O.D. free venting drain. A second cold water connection is also provided for the spray condenser.

Water Supply Requirements

To minimize service problems a PureSteam water treatment (softening) system is recommended when water quality is found to exceed limits stated below and in operator manual.

Recommended MINIMUM water quality standards are: Total dissolved solids (TDS) content should have a value of 30 to 40 parts per million, and the water pH should be 7.0 to 9.0

Origin of Manufacture

Steamer shall be designed and manufactured in the United States.

**6-Pan Capacity
Stainless Steel
Pressureless Steamer**

**With Twin Electric
Atmospheric
Steam Generators In
Cabinet Base**

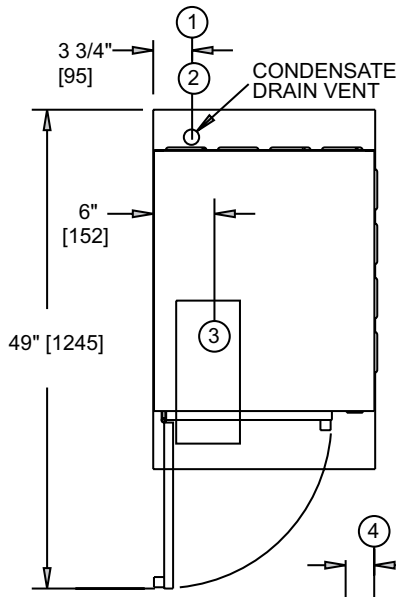
Short Form

Unit shall be a Groen HyPerSteam pressureless steamer Model HY-6E with twin, independent electric-heated steam generators mounted in 21 5/8" wide cabinet base, per Bulletin 140796. All stainless steel construction with two steam cavities, each powered by its own independent atmospheric steam generator with powerful blower to circulate steam within cavity and separate operating controls, including: 60-minute electro-mechanical timer with constant steam setting, ready light and Delime cycle button to initiate deliming. Simple deliming through ports on top. Doors are field-reversible, with easy-open latch and hidden magnetic door switch, and wide condensate sink with drain is provided under cavity doors. Twin atmospheric steam generators require no pressure gauges or switches, and have 9KW input each. Unit shall come up to steam in 8-10 minutes or less from a cold start, and provide warm cavity instant steam capability. U.L., C.U.L. and N.S.F. listed. See other side for required electric, water and drain connections. Made in USA.

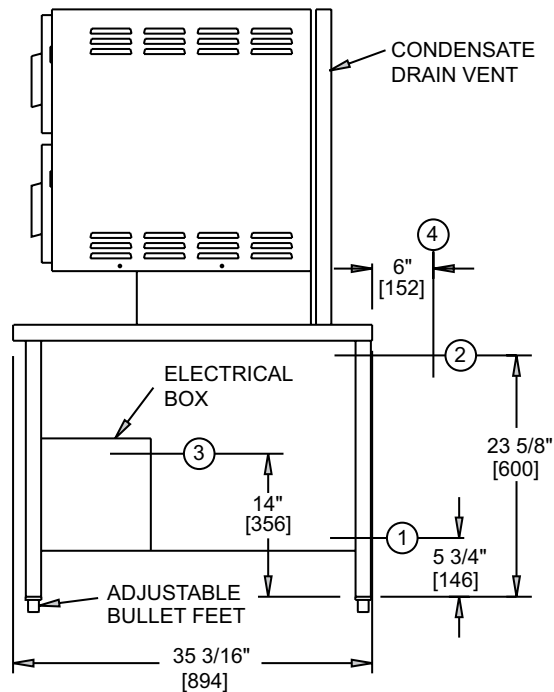
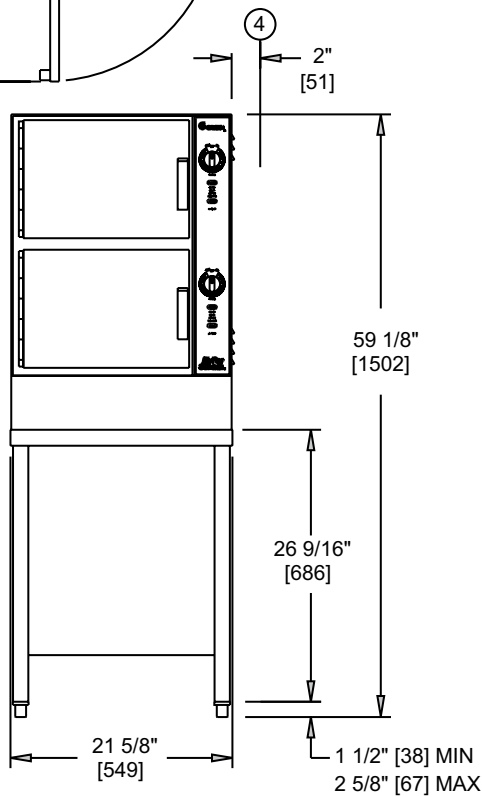


Applications

- Pasta
- Rice
- Vegetables (Fresh & Frozen)
- Seafood (Fresh & Frozen)
- Poultry
- Potatoes
- Eggs
- Meats
- Reheat Cook-Chill & Prepared Foods



VOLTAGE	PHASE	AMPS	MAX. KW
208	1	87	18
	3	50	18
240	1	75	18
	3	43	18
480	—	—	—
	3	22	18



SERVICE CONNECTIONS AND NOTES:

- ① DRAIN CONNECTION 1 1/2" TUBE (DRAIN FREE VENTING)
- ② COLD WATER SUPPLY AT 30 TO 60 PSIG WITH A FLOW RATE OF 1.50 - 3.00 GPM AND WITH A 3/4" NH CONNECTION.
- ③ ELECTRICAL CONNECTION 1" CONDUIT. SEE TABLE FOR REQUIREMENTS.
- ④ MINIMUM CLEARANCE REQUIRED: REAR = 6" [152], LEFT SIDE = 0" [0], RIGHT SIDE 2" [51]
- ⑤ DIMENSIONS IN BRACKETS [] ARE MM

