

Spec Sheet No. SL-18

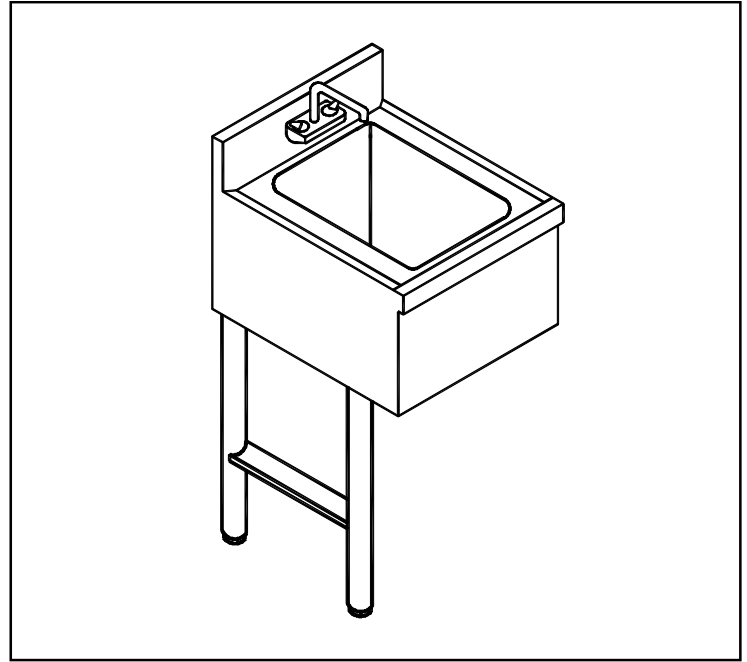
Job Name \_\_\_\_\_

Item No. \_\_\_\_\_

## Hand Sink

◦ SL-HS-15

*Note: Units are supplied with two individual legs and one leg channel for universal mounting. (right or left)*



## Specifications

•**Sink Bowl:** 10"W x 14"L x 10"D 20 gauge 300 series stainless steel seamless deep drawn.

•**Front Apron:** 22 gauge 300 series stainless steel.

•**Backsplash:** 22 gauge 300 series stainless steel.

•**Sides:** 20 gauge 430 series stainless steel.

•**Legs:** 1-5/8" O.D. 18 gauge galvanized with electro static black powder coat and black plastic adjustable bullet feet. To include stainless steel legs add the suffix -SS.(Optional)

•**Plumbing:** 1-1/2" I.P.S. drain.

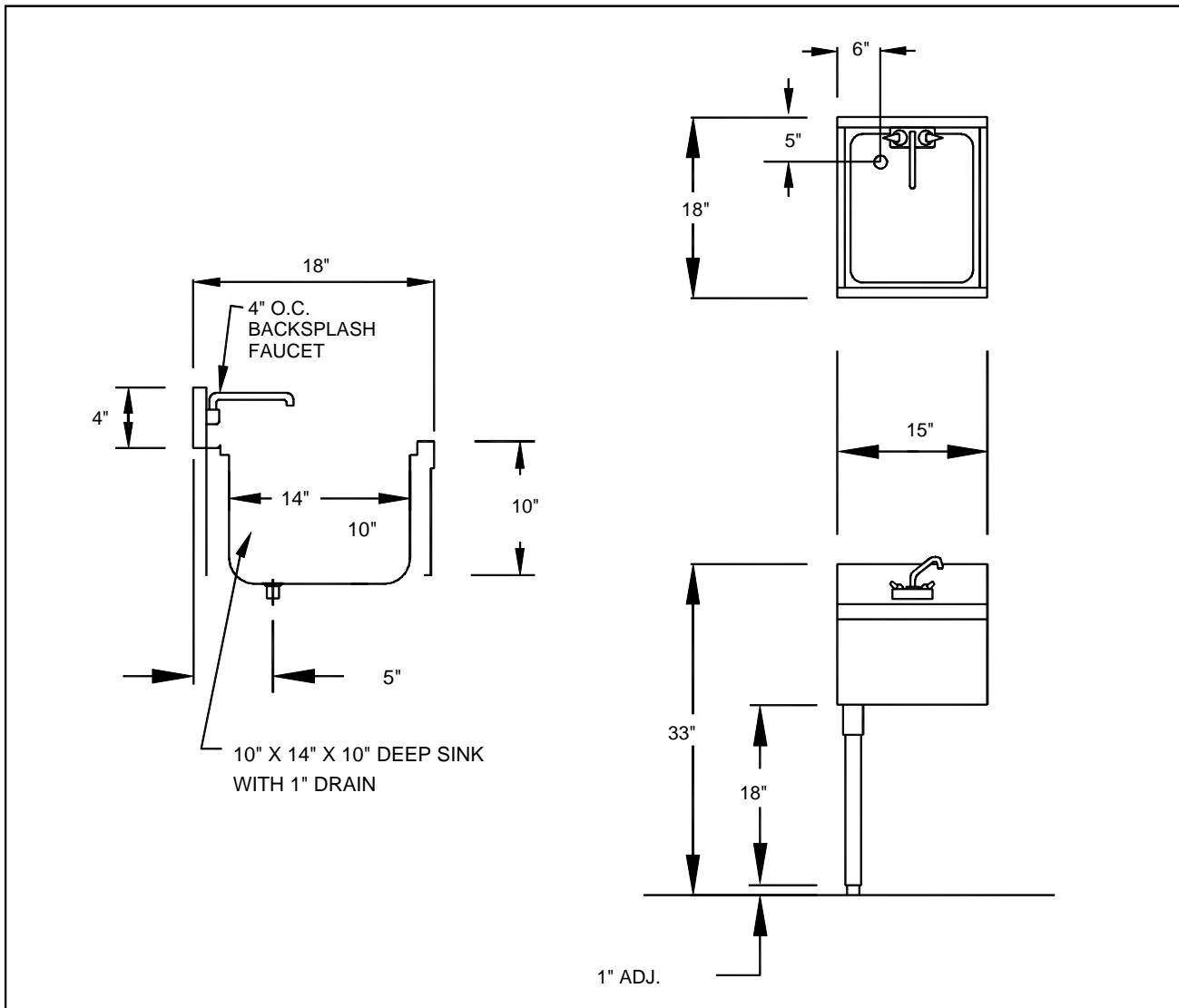
•**Faucet:** 4" on center deck mount with 8" swivel spout.



Supreme Metal



# Slimline



Model Number	Over All Length	Packaged Weight	Packaged Cubic Feet
SL-HS-15	15"	22	4

SupremeMetal is constantly engaged in a program of improving their products. We reserve the right to change our specifications without prior notice.