



Portable Bars

Spec Sheet No. R-1

Job Name _____

Item No. _____

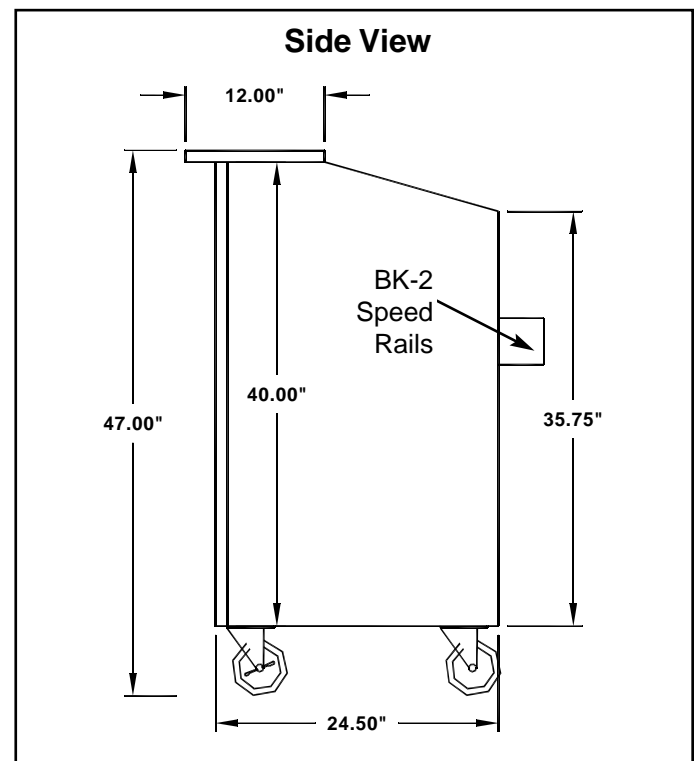


- R-8-W
- R-8-B
- R-8-W-7
- R-8-B-7

The -7 denotes 7 circuit cold plate model.

Specifications

- **Construction:** 3/4" plywood with mica laminate, available in Black or Walnut finish. Stainless steel bottom.
- **Work Area:** Stainless steel work top, back and side splashes.
- **Ice Bins:** 2 insulated ice bins 13 x 18 x 11 deep. Complete with drain and shut-off valve. Bins are located at each end, if a cold plate unit is required it will be installed in the right ice bin. *(optional 7 circuit post mix cold plate)*
- **Casters:** 4 ea. 6" swivel casters (2 ea locking)
- **Accessories :** 2 ea. BK-2 stainless steel speed rails, 2 towel rings, bottle cap & catcher.
- **Shipping Weight :** R-8-W(B) = 700 lbs.
R-8-W(B)-7 = 750lbs.



Supreme Metal



Toll Free: 800-645-2526
Fax: 770-740-6010
www.suprememetal.com

Portable Bars

Regency 8' Portable Bar

