

Challenger

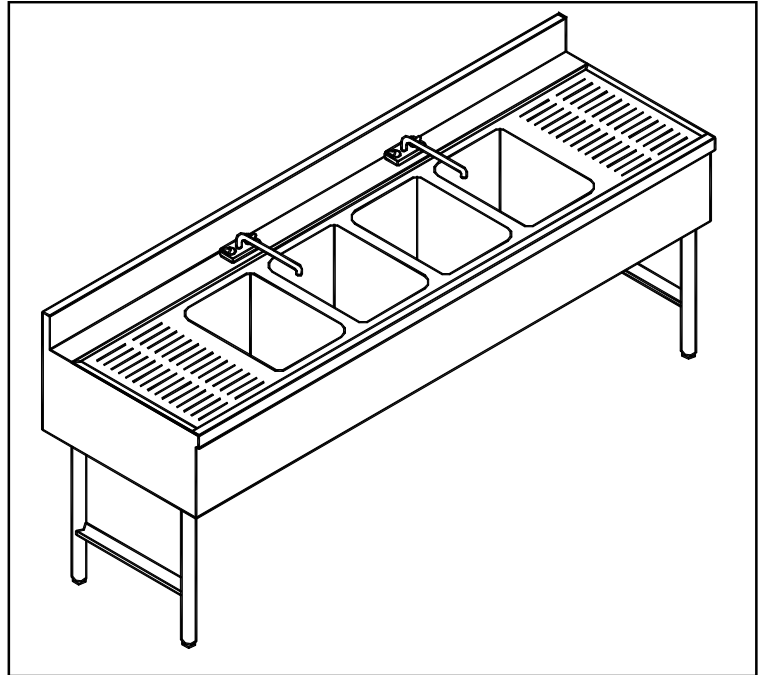
Spec Sheet No. CR-4

Job Name _____

Item No. _____

Four Compartment Bar Sink

- CRB-44C
- CRB-64C
- CRB-74C
- CRB-84C



Specifications

•**Sink Bowl:** 14"L x 10"W x 10"D 20 gauge 300 series stainless steel seamless deep drawn.

•**Drainboard:** 20 gauge 300 series stainless steel, embossed and seamless welded to sink bowl.

•**Front Apron:** 22 gauge 300 series stainless steel.

•**Sides:** 20 gauge 430 series stainless steel.

•**Backsplash:** 22 gauge 300 series stainless steel.

•**Under Structure:** 22 gauge galvaneal fronts and backs, 11 gauge electrogalvaneal leg channel.

•**Legs:** 1-5/8" O.D. 18 gauge galvanized with electro static black powder coat and black plastic adjustable bullet feet. To include stainless steel legs add the suffix -SS.(Optional)

•**Plumbing:** 1-1/2" I.P.S. drain.

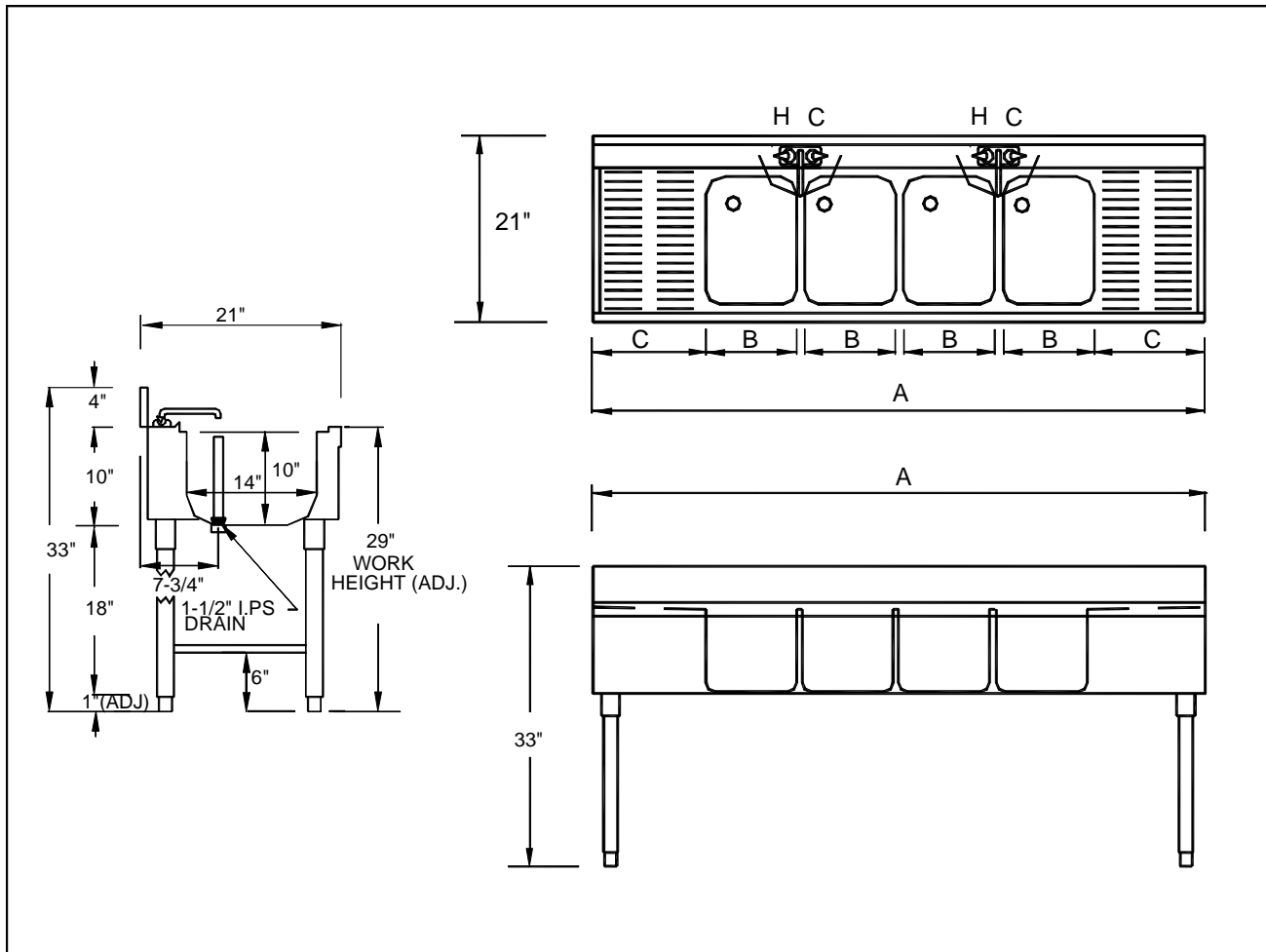
•**Faucets:** (2) 4" on center deck mount with 8" swivel spout.



Supreme Metal



Challenger



Model Number	Overall Length(A)	No. of Bowls(B)	Drainboard Length(C)	Packaged Weight	Packaged Cubic Feet	Sink Location
CRB-44C	47"	4	N/A	89 LBS.	13.3	Center
CRB-64C	71"	4	12"	92 LBS.	19.7	Center
CRB-74C	83"	4	18"	101 LBS.	22.9	Center
CRB-84C	95"	4	24"	110 LBS.	26.1	Center

SupremeMetal is constantly engaged in a program of improving their products. We reserve the right to change our specifications without prior notice.