

Challenger

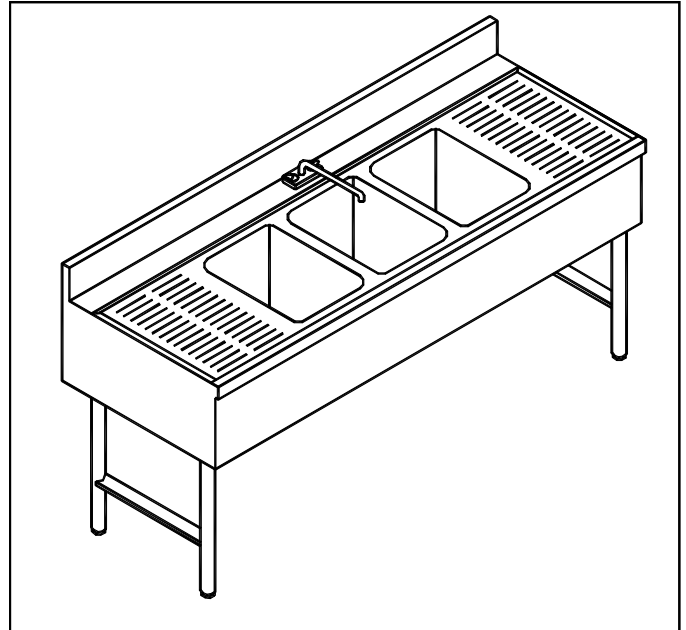
Spec Sheet No. CR-3

Job Name _____

Item No. _____

Three Compartment Bar Sink

- CRB-33C
- CRB-43L
- CRB-43R
- CRB-53C
- CRB-53L
- CRB-53R
- CRB-63C
- CRB-73C
- CRB-83C



Specifications

•**Sink Bowl:** 14”L x 10”W x 10”D 20 gauge 300 series stainless steel seamless deep drawn.

•**Drainboard:** 20 gauge 300 series stainless steel, embossed and seamless welded to sink bowl.

•**Front Apron:** 22 gauge 300 series stainless steel.

•**Sides:** 20 gauge 430 series stainless steel.

•**Backsplash:** 22 gauge 300 series stainless steel.

•**Under Structure:** 22 gauge galvaneal fronts and backs, 11 gauge electrogalvaneal leg channel.

•**Legs:** 1-5/8” O.D. 18 gauge galvanized with electro static black powder coat and black plastic adjustable bullet feet. To include stainless steel legs add the suffix -SS.(Optional)

•**Plumbing:** 1-1/2” I.P.S. drain.

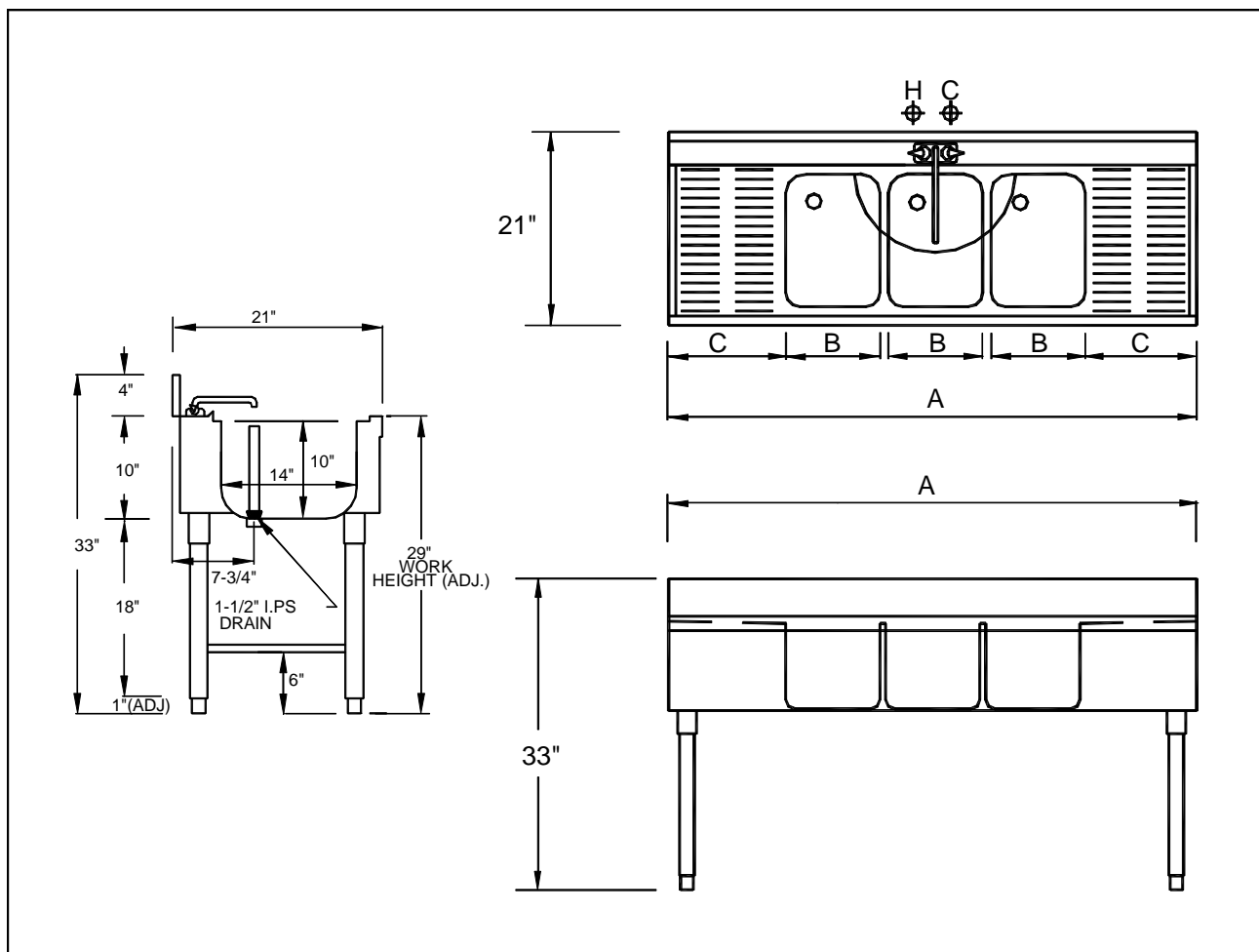
•**Faucets:** 4” on center deck mount with 10” swivel spout.



Supreme Metal



Challenger



Model Number	Overall Length(A)	No. of Bowls(B)	Drainboard Length(C)	Packaged Weight	Packaged Cubic Feet	Sink Location
CRB-33C	35"	3	N/A	65 LBS.	10.1	Center
CRB-43L	47"	3	9"	68 LBS.	13.3	Left
CRB-43R	47"	3	9"	68 LBS.	13.3	Right
CRB-53C	59"	3	12"	76 LBS.	16.5	Center
CRB-53L	59"	3	21"	76 LBS.	16.5	Left
CRB-53R	59"	3	21"	76 LBS.	16.5	Right
CRB-63C	71"	3	18"	88 LBS.	19.7	Center
CRB-73C	83"	3	24"	98 LBS.	22.9	Center
CRB-83C	95"	3	30"	108 LBS.	26.1	Center

SupremeMetal is constantly engaged in a program of improving their products. We reserve the right to change our specifications without prior notice.