



Portable Bars

Spec Sheet No. AM-2

Job Name _____

Item No. _____



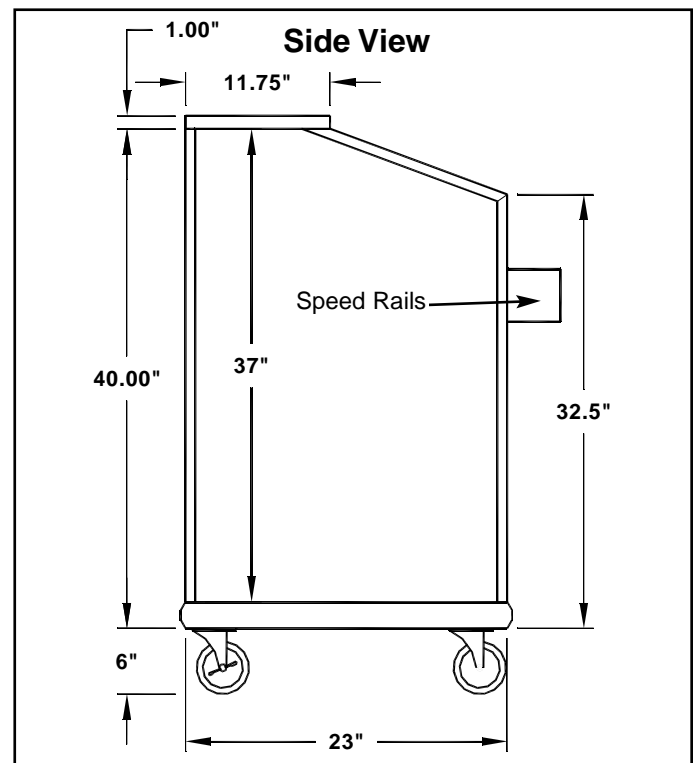
AMS-5B shown.

- **AMS-5B**
- **AMS-5B-7**

The -7 denotes 7 circuit cold plate model.

Specifications

- **Construction:** All stainless steel construction. (interior, doors and bottom) Top and side panels finished in black laminate.
- **Work Area:** Stainless steel work top.
- **Ice Bin:** Insulated 13 x 18 x 11 bin, complete with drain and shut-off valve. Same specifications on 7 circuit cold plate model.
- **Casters:** 4 ea. 6" swivel casters (2 ea locking)
- **Accessories :** 2 ea. BK-30 stainless steel speed rails & Full perimeter bumper.
- **Shipping Weight:** AMS-5B = 315 lbs. & AMS-5B-7 = 365lbs.



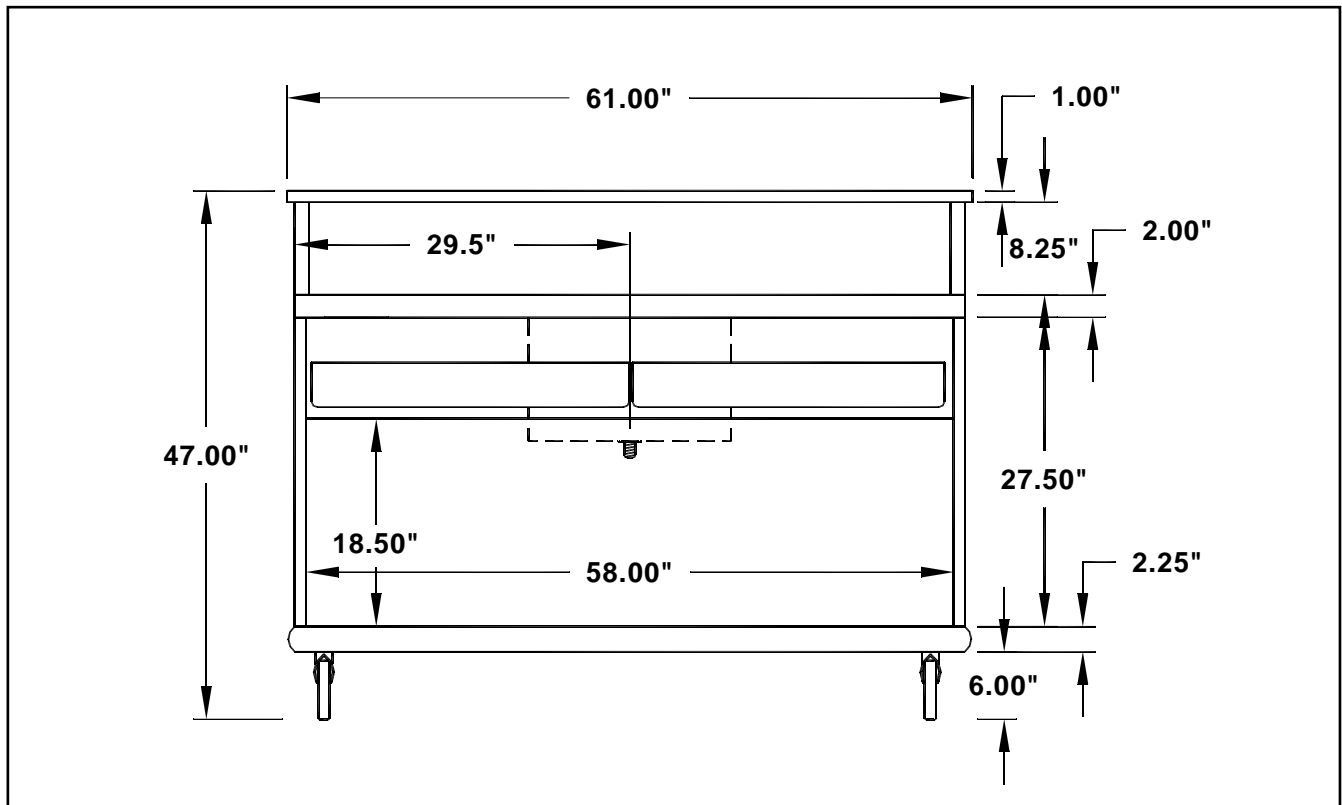
Supreme Metal



Toll Free: 800-645-2526
Fax: 770-740-6010
www.suprememetal.com

Portable Bars

Ambassador 5' Portable Bar



Model #	Distance to Drain	Storage Cabinet Dims.	Liquor Bottle Capacity
AMS-5B	29.5	58 X 21 X 18.5	10-12
AMS-5B-7	29.5	58 X 21 X 18.5	10-12