

- ✓ Produces up to 69 lbs. (31 Kgs.)* of ICE per day
- ✓ Built-in application storage of up to 28 lbs. (12 Kgs.)
- ✓ Ultra-low profile - 34 inches tall
- ✓ Only 18 inches wide
- ✓ Available with an air-cooled condenser



ICEU 060

ICE-O-Matic® is the Best ICE Making Solution for: Hard Water, Food Safety and Tight Spaces

Problem

Cost

Offices are now providing Ice machines in employee breakrooms

Hard Water

Scaling due to hard water slows Ice production

Tight-Fitting Spaces

Inadequate air flow due to tight-fitting spaces reduces Ice production

Dirty Air Filter

Forget to change the air filter?

Solution

Cost Effective For a Small Office / Home Office

Price equal to pennies per pound of ICE

ICE-O-Matic® Water Filtration System

ICE-O-Matic®'s optional water filtration system provides protection against unpleasant tastes, odors and scale formation

Front Air Discharge

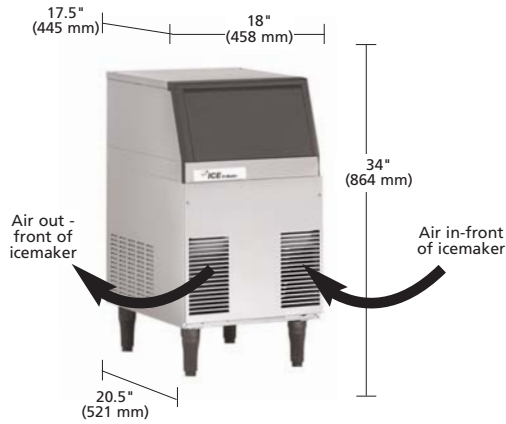
Air is drawn in and exhausted from the front
- no side clearance required

Filter-Free Air

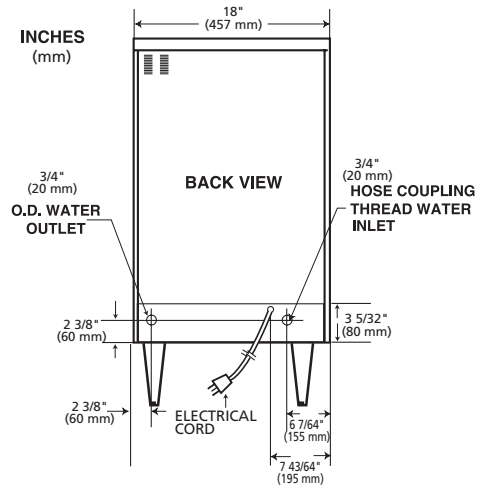
No air filter to change

ICEU 060 Series Cube ICE Maker

Dimensions and Air Flow

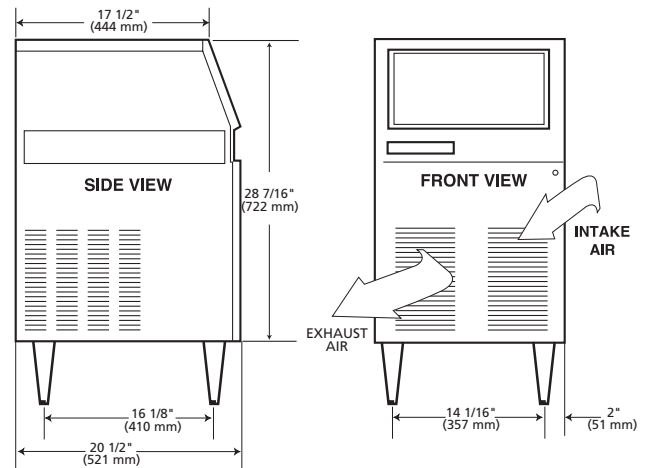


Installation Note: Allow 6" minimum space at back for utility connections



OPERATING LIMITS

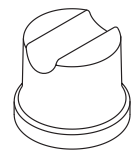
Air Temp. Range	50° - 100°F (10° - 37.7°C)
Water Temp. Range	40° - 100°F (4.4° - 37.7°C)
Water Pressure	Min. 20 psi (1.4 bar) Max. 120 psi (8.4 bar)
Electrical Voltage Water	Min. -5% Max. +10%



- 90°/70° figures are rated in accordance with ARI Standard 810. All remaining points are mathematical estimates.
- All specifications and performance data are subject to normal manufacturing variances.
- Application bin storage is 28 lbs. (12 Kgs.)
- ARI bin storage is 25 lbs. (11 Kgs.)

All units have stainless steel finish.
Refrigerant: R-134a

LEGS SUPPLIED:
Four plastic legs screw into mounting plates on cabinet base. Provides 6" minimum height.



Shot-glass style cube
1 inch wide x 1 1/8" high
x 1 1/4" diameter
(25 mm x 29 mm x 32 mm)

ORDERING AND SPECIFICATION INFORMATION

Model No.	Cond. Unit	Ice Production per 24 hrs. at 70° Air/50° Water lbs. (Kgs.)	Ice Production per 24 hrs. at 90° Air/70° Water lbs. (Kgs.)	Bin Storage lbs. (Kgs.)	Comp. H.P.	Voltage Characteristics	No. of Wires	Min. Circuit Amp.	Max. Fuse Size	Shipping Weight lbs. (Kgs.)
ICEU 060	Air	69 (31)	55 (25)	28 (12)	1/4	115/60/1	2	CORD	15	105 (48)



We reserve the right to make changes in design and construction at any time without obligation.
2003©ICE-O-Matic Rev Code: 1000A-06/03-55

ICE o-Matic®

ICE-O-Matic 11100 E. 45th Avenue, Denver, CO 80239
Tel. 303 371-3737 Fax. 303 371-6296 www.iceomatic.com