

Ice-O-Matic®

ICE1006/1005/1007 - Cube Ice Maker



ICE1006 on B55

Features

- Space saving 26" (660 mm) tall design.
- Produces up to 1,097 lbs (498 kg) of ice per day.
- *Harvest Assist* provides consistent ice production for the life of the ice maker while reducing energy consumption and increasing capacity.
- *Pure Ice*® exclusively by Ice-O-Matic. Built-in antimicrobial protection for the life of the ice maker inhibits bacteria growth on ice maker surfaces. Ice-O-Matic's optional water filtration system provides protection against unpleasant tastes, odors and scale formation.
- Durable, electroless nickel plating on all evaporator plates ensures reliability.
- *Longest warranty in the industry.* Purchase an Ice-O-Matic water filter with your cube ice maker, replace the filter every six months, and the evaporator warranty is extended to 7 years parts and labor (*available in the U.S. and Canada only*).
- Constructed from corrosion-resistant stainless steel and fingerprint-proof plastic.

Options & Accessories

Water Filters			
Ice Machine Model	Manifold		Inline
	System	Replacement	System
ICE1006	IFQ2	IOMQ (2)	N/A
ICE1005	IFQ2	IOMQ (2)	N/A
ICE1007	IFQ2	IOMQ (2)	N/A

Ice Maker Warranty

Every Ice-O-Matic ice maker is backed by a warranty that provides both parts and labor coverage.

- Three years **Parts and Labor**.
- Five years **Parts** coverage on the evaporator and compressor.
- Seven years **Parts and Labor** on the evaporator when you purchase an Ice-O-Matic water filter with your cube ice maker and replace the filter every six months (*available in the U.S. and Canada only*).

Ice Form



Full Cube	
W x D x H (in)	7/8 x 7/8 x 7/8
W x D x H (mm)	22 x 22 x 22
Half Cube	
W x D x H (in)	7/8 x 7/8 x 3/8
W x D x H (mm)	22 x 22 x 10

Bin Chart

Kits for Combining Wider Bins with Smaller Models

Ice Storage Bins									
Model No.	B25	B40	B42	B55	B100	B120	B150	B170	
Capacity	255 lbs (116 kg)	365 lbs (165 kg)	374 lbs (170 kg)	556 lbs (252 kg)	927 lbs (420 kg)	1193 lbs (541 kg)	1499 lbs (679 kg)	1866 lbs (846 kg)	
Width	30 in (762 mm)	30 in (762 mm)	22 in (559 mm)	30 in (762 mm)	48 in (1219 mm)	48 in (1219 mm)	60 in (1524 mm)	60 in (1524 mm)	
ICE1006	Kit not required	Kit not required	N/A	Kit not required	KBT 5	Filler Kit Required	Filler Kit Required	Filler Kit Required	
ICE1005	Kit not required	Kit not required	N/A	Kit not required	KBT 5	Filler Kit Required	Filler Kit Required	Filler Kit Required	
ICE1007	Kit not required	Kit not required	N/A	Kit not required	KBT 5	Filler Kit Required	Filler Kit Required	Filler Kit Required	

* See Ice-O-Matic Price List for Adapter Kits to combine ice makers with most available ice/beverage dispensers.

ICE1006/1005/1007 Cube Ice Maker



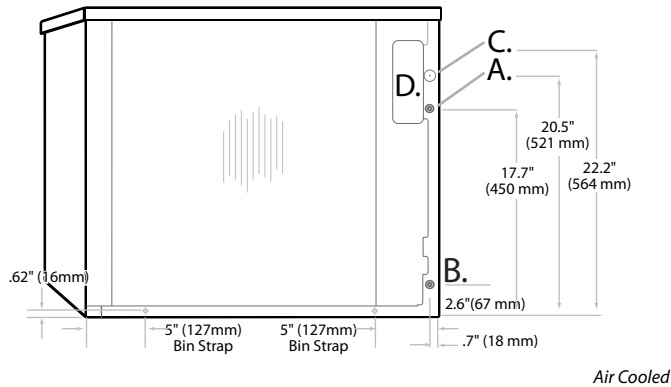
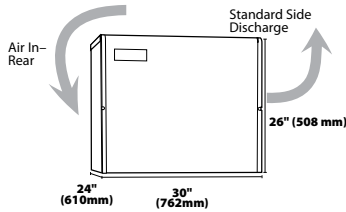
Ice-O-Matic®

ICE1006/1005/1007 Cube Ice Maker

Air Cooled

Please note: air-cooled units require 6" (152 mm) clearance for air intake and exhaust.

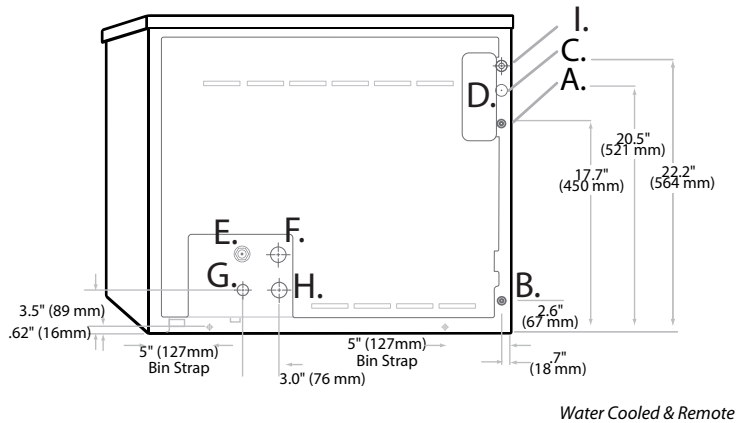
- A. Ice maker potable water in, 3/8" FPT.
- B. Ice maker water out, 3/4" FPT.
- C. Hole for electrical connections, 7/8".
- D. Electrical connection junction box.



Air Cooled

Water Cooled/Remote

- A. Ice maker potable water in, 3/8" FPT.
- B. Ice maker water out, 3/4" FPT.
- C. Hole for electrical connections, 7/8".
- D. Electrical connection junction box.
- E. Condenser water in, 3/8" FPT (water only).
- F. Condenser water out, 1/2" FPT (water only).
- G. Liquid line, 3/8" male quick connect coupling for precharged line set (remote only).
- H. Discharge line, 1/2" male quick connect coupling for precharged line set (remote only).
- I. Hole for remote electrical connections, 7/8" (remote only).



Water Cooled & Remote

Operating Requirements

	Minimum	Maximum	
		60 Hz	50Hz
Ambient Temp. Range Air	50°F (10°C)	100°F (38°C)	110°F (43°C)
Water Temp.	40°F (4.4°C)	100°F (38°C)	110°F (43°C)
Water Pressure	20 PSIG (1.4 BAR)	60 PSIG (4.1 BAR)	

Dimensions

All Models	
W x D x H (inches)	30 x 24 x 26
W x D x H (mm)	762 x 610 x 508

Specifications

Model No.	Cond. Unit	Ice Production per 24hrs		Water Usage (gallons per 100 lbs of Ice 90°F air/70°F water)		kWh Used per 100 lbs of ice @ 90°F air/70°F water	Voltage Characteristics	Min. Circuit Ampacity	Fuse Size	Approx. BTUs per hour
		70°F air/50°F water lbs (kg)	90°F air/70°F water lbs (kg)	Potable	Condenser					
ICE1006A	Air	997 (453)	780 (355)	20.5	-	5.7	208-230/60/1	14.2	20	16,024
ICE1006R	Remote*	982 (446)	843 (383)	22.8	-	5.6	208-230/60/1	13.8	20	17,161
ICE1006W	Water	960 (436)	856 (389)	23.4	113	4.3	208-230/60/1	12.8	20	15,355
ICE1005A	Air	964 (438)	766 (348)	22.6	-	5.6	230/50/1	12.6	16	15,594
ICE1005R	Remote*	926 (421)	778 (354)	21.8	-	5.6	230/50/1	15.2	16	15,838
ICE1005W	Water	985 (448)	871 (396)	22.5	118	4.3	230/50/1	12.0	16	15,624
ICE1007A	Air	930 (423)	754 (343)	22.3	-	5.7	208-230/60/3	12.2	15	15,490
ICE1007R ★	Remote*	910 (413)	781 (354)	21.9	-	5.2	208-230/60/3	10.8	15	15,317
ICE1007W	Water	935 (425)	836 (380)	22.3	113	4.3	208-230/60/3	7.1	15	14,996

*Requires Remote VRC 2061 Condenser

NOTES:

Number of Wires: ICE1005/1006: 3 (including ground) • ICE1007: 4 (including ground)
 Approx. Shipping Weight lbs (kg): ICE1006A 230 (105) • ICE1006R 235 (107) • ICE1006W 225 (102) • ICE1005A 230 (105) • ICE1005R 235 (107) • ICE1005W 225 (102) • ICE1007A 230 (105) • ICE1007R 235 (107) • ICE1007W 225 (102)
 Refrigerant Type: R404A

★ ENERGY STAR qualified machine.

Please see our website www.iceomatic.com for the latest list of ENERGY STAR qualified machines and available rebates