

# Ice-O-Matic®

## GEM0650/0655 - Pearl Ice® Maker



GEM0650 on B55

### Features

- Space saving 21" (533 mm) wide design.
- Produces up to 745 lbs (338 kg) of ice per day.
- *Pearl Ice*® soft, chewable ice crystals.
- Cools beverages faster and longer while maintaining flavors better.
- Decreased water and power usage compared to cube ice makers.
- Improved customer satisfaction.
- Rugged stainless steel evaporator and auger ensures reliability.
- Industrial-grade roller bearings and heavy duty gearbox provide years of trouble free service.

### Options & Accessories

Water Filters			
Ice Machine Model	Manifold		Inline
	System	Replacement	System
GEM0650	IFQ1	IOMQ (1)	N/A
GEM0655	IFQ1	IOMQ (1)	N/A

### Ice Maker Warranty

Every Ice-O-Matic ice maker is backed by a warranty that provides both parts and labor coverage.

#### Parts & Labor

- Three years **Parts & Labor** for all Pearl Ice® ice maker parts.
- Five years **Parts** coverage on the compressor.

### Ice Form



### Bin Chart

Kits for Combining Wider Bins with Smaller Models

		Ice Storage Bins								
		Model No.	B25	B40	B42	B55	B100	B120	B150	B170
		Capacity	255 lbs (116 kg)	365 lbs (165 kg)	374 lbs (170 kg)	556 lbs (252 kg)	927 lbs (420 kg)	1193 lbs (541 kg)	1499 lbs (679 kg)	1866 lbs (846 kg)
		Width	30 in (762 mm)	30 in (762 mm)	22 in (559 mm)	30 in (762 mm)	48 in (1219 mm)	48 in (1219 mm)	60 in (1524 mm)	60 in (1524 mm)
Kits	GEM0650	KBT19	KBT19	KBT24	KBT19	KBT23	KBT23	N/A	N/A	
	GEM0650 (2)	N/A	N/A	N/A	N/A	KBT22	KBT22	N/A	N/A	
	GEM0655	KBT19	KBT19	KBT24	KBT19	KBT23	KBT23	N/A	N/A	
	GEM0655 (2)	N/A	N/A	N/A	N/A	KBT22	KBT22	N/A	N/A	

\*See Ice-O-Matic Price List for Adapter Kits to combine ice makers with most available ice/beverage dispensers.

GEM0650/0655 Pearl Ice® Maker



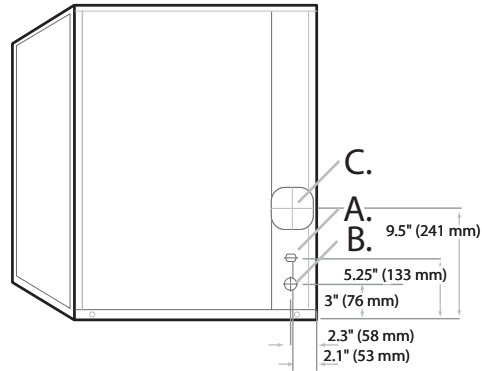
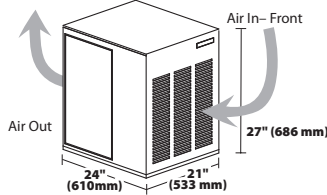
# Ice-O-Matic®

GEM0650/0655 Pearl Ice® Maker

## Air Cooled

Please note: air-cooled units require 6" (152 mm) clearance for air intake and exhaust.

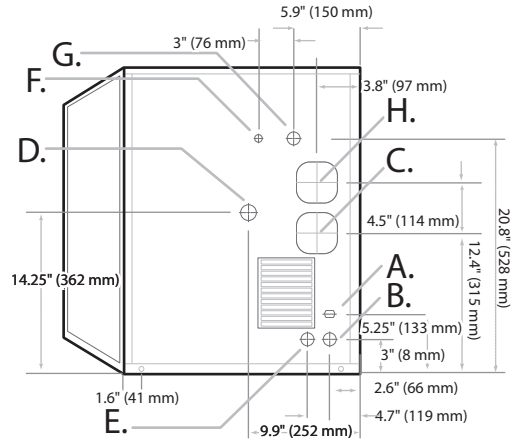
- A. Ice maker potable water in, 3/8" flare.
- B. Ice maker water out, 3/4" FPT.
- C. Electrical inlet.



Rear View Air Cooled

## Water Cooled/Remote

- A. Ice maker water in, 3/8" flare.
- B. Ice maker water out, 3/4" FPT.
- C. Electrical inlet.
- D. Condenser water in, 3/8" (water cooled only).
- E. Condenser water out, 1/2" (water cooled only).
- F. Liquid line, 3/8" male coupling for precharged line set (remote only).
- G. Discharge line, 1/2" male coupling for precharged line set (remote only).
- H. Remote condenser junction box (remote only).



Rear View Water Cooled & Remote

## Operating Requirements

	Minimum	Maximum
Ambient Temp. Range Air	50°F (10°C)	100°F (38°C)
Water Temp.	40°F (4.4°C)	100°F (38°C)
Water Pressure	20 PSIG (1.4 BAR)	120 PSIG (8.3 BAR)
Remote Cond. Temps	-20°F (-29°C)	120°F (50°C)

## Dimensions

All Models	
W x D x H (inches)	21 x 24 x 27
W x D x H (mm)	533 x 610 x 686

## Specifications

Model Number	Cond. Unit	Ice Production per 24hrs		Water Usage gallons per 100 lbs of Ice 90°F air/70°F water		kWH Used per 100 lbs of ice @ 90°F air/70°F water	Voltage Characteristics	Min. Circuit Ampacity	Fuse Size	Approx. BTUs per hour
		70°F air/50°F water lbs (kg)	90°F air/70°F water lbs (kg)	Potable	Condenser					
GEM0650A	Air	700 (318)	520 (236)	12.0	-	5.3	115/60/1	19.5	30	5,600
GEM0650W	Water	745 (338)	605 (247)	12.0	88.4	4.1	115/60/1	18.3	30	5,600
GEM0650R	Remote*	615 (279)	560 (254)	12.0	-	6.2	115/60/1	22.5	30	5,600
GEM0655A	Air	700 (318)	520 (236)	12.0	-	4.4	230/50/1	10.1	15	4,400
GEM0655W	Water	745 (338)	585 (265)	12.0	88.4	4.1	230/50/1	9.5	15	4,400

\*Requires Remote GRC 1001 Condenser

### NOTES:

Number of Wires: 3 (including ground)  
 Approx. Shipping Weight /lbs (kg): GEM0650A 205 (93) • GEM0650W 220 (110) • GEM0650R 220 (100) • GEM0655A 205 (93) • GEM0655W 200 (91)  
 Refrigerant Type: R404A