



GEM0650

## Pearl ICE™ Maker - GEM0650



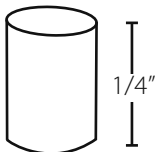
### Features

- Produces up to 745 lbs (338 kg) of ICE per day
- Pearl ICE™ soft, chewable ice crystals are widely preferred by customers
- Cools beverages faster and longer while maintaining flavors better
- Decreased water and power usage compared to cube ice makers
- Improved customer satisfaction
- Stainless steel construction

### Options & Accessories

Dispenser Application Chart			
Dispenser Model	GEM0650	GEM0956	GEM1256
ICE-O-Matic IOD150	KBT15022 + KGEMDIV	KBT15022 + KGEMDIV	N/A
ICE-O-Matic IOD200 or IOD250	KBT25022 + KGEMDIV + KGEBIOD	KBT25022 + KGEMDIV + KGEBIOD	KBT25030 + KGEMDIV + KGEBIOD
Cornelius ED or DF150	KBT15022 + R629088514 (Cornelius)	KBT15022 + R629088514 (Cornelius)	N/A
Cornelius ED or DF200	KBT25022 + KGEM200	KBT25022 + KGEM200	KBT25030 + KGEM200
Cornelius ED or DF250	KBT25022 + GEM250	KBT25022 + KGEM250	KBT25030 + KGEM250

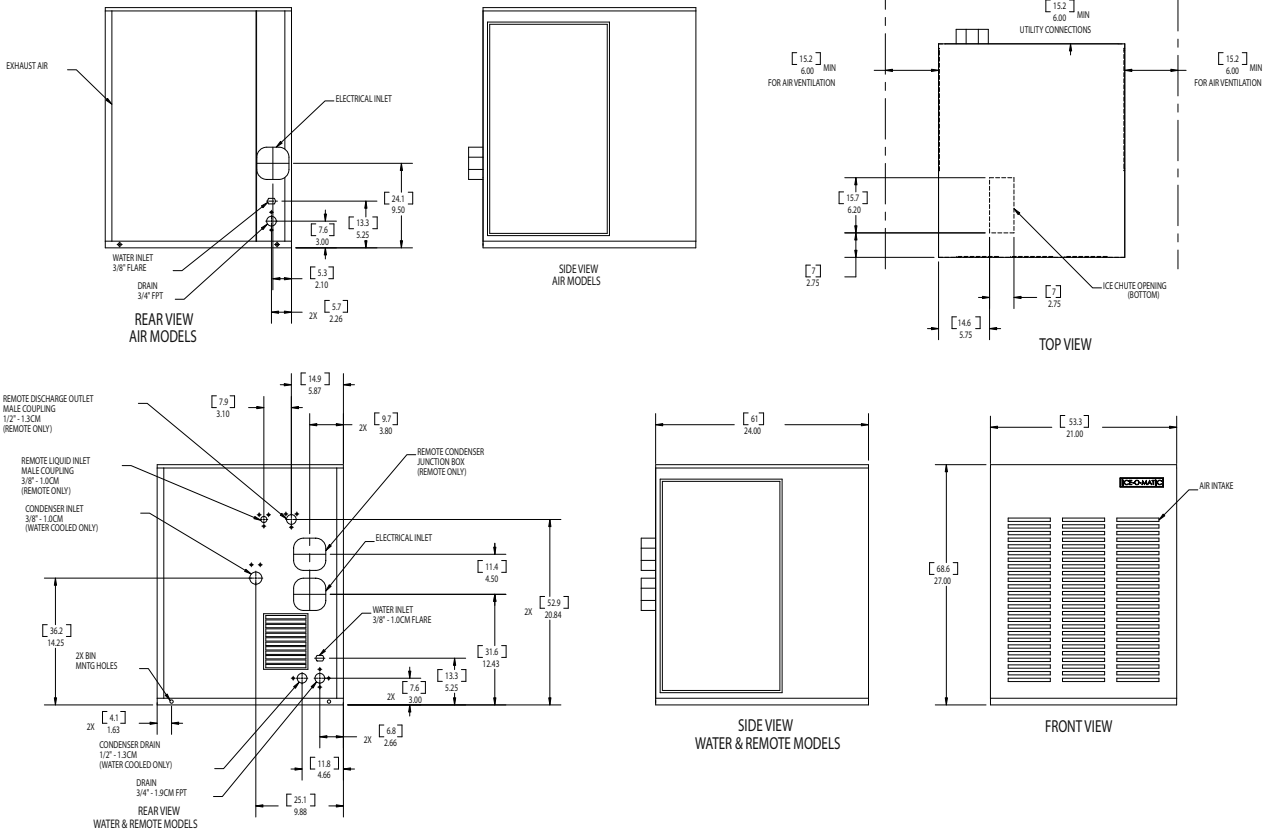
### ICE Form



### Bin Chart

ICE Storage Bins						
Model No	B25	B40	B42	B55	B100	
Capacity	255 lbs	365 lbs	374 lbs	556 lbs	927 lbs	
Width	30 in.	30 in.	22 in.	30 in.	48 in.	
ICE Maker GEM0650	KBT19	KBT19	Kit not required	KBT 19	KBT23 / KBT 22	
GEM0956	KBT19	KBT19	Kit not required	KBT19	KBT23 / KBT 22	
GEM1256	Kit not required	Kit not required	N/A	Kit not required	KBT23	





NOTE: DIMENSIONS INCHES (CENTIMETERS)

OPERATION LIMITS		
	Minimum	Maximum
Ambient Temp. Range Air	50°F (10°C)	100°F (38°)
Water Temperature	40°F (4°C)	100°F (38°)
Remote Cond. Temps	-20°F (-29°C)	120°F (50°C)
Water Pressure	20 PSIG	120 PSIG

Model Number	Cond. Unit	Ice Production per 24hrs @ 70°F Air/50°F water lbs (kg)	Ice Production per 24hrs @ 90°F Air/70° water lbs (kg)	Water usage gallons per 100 lbs of ICE 90° F Air/70° F water		kWh used per 100 lbs of ICE @ 90°F Air/70° F water	Voltage Characteristics	Min. Circuit Ampacity	Shipping Weight lbs (kg)
				Potable	Condenser				
GEM0650A	Air	700 (318)	520 (236)	12	-	5.3	115/60/1	19.5	205 (93)
GEM0650W	Water	745 (338)	605 (274)	12	88.4	4.1	115/60/1	18.3	200 (91)
GEM0650R	Remote	615 (279)	560 (254)	12	-	6.2	115/60/1	22.5	220 (100)

- Notes:
- Number of Wires = 3
  - Max Fuse Size = 30
  - GRC1001-Remote Condenser for GEM0650