

Ice-O-Matic®

GEM1256 - Pearl Ice® Maker



GEM1256 on B100

Features

- Space saving 30" (762 mm) wide design.
- Produces up to 1345 lbs (610 kg) of ice per day.
- Pearl Ice® soft, chewable ice crystals.
- Cools beverages faster and longer while maintaining flavors better.
- Decreased water and power usage compared to cube ice makers.
- Improved customer satisfaction.
- Rugged stainless steel evaporator and auger ensures reliability.
- Industrial-grade roller bearings and heavy duty gearbox provide years of trouble free service.

Options & Accessories

Water Filters			
Ice Machine Model	Manifold		Inline
	System	Replacement	System
GEM1256	IFQ2	IOMQ (2)	N/A

Ice Maker Warranty

Every Ice-O-Matic ice maker is backed by a warranty that provides both parts and labor coverage.

Parts & Labor

- Three years **Parts & Labor** for all Pearl Ice® ice maker parts.
- Five years parts coverage on the compressor.

Ice Form



Bin Chart

Kits for Combining Wider Bins with Smaller Models

Ice Storage Bins								
Model No.	B25	B40	B42	B55	B100	B120	B150	B170
Capacity	255 lbs (116 kg)	365 lbs (165 kg)	374 lbs (170 kg)	556 lbs (252 kg)	927 lbs (420 kg)	1193 lbs (541 kg)	1499 lbs (679 kg)	1866 lbs (846 kg)
Width	30 in (762 mm)	30 in (762 mm)	22 in (559 mm)	30 in (762 mm)	48 in (1219 mm)	48 in (1219 mm)	60 in (1524 mm)	60 in (1524 mm)
Kits	Kit not required	Kit not required	N/A	Kit not required	KBT23	N/A	N/A	N/A

**See Ice-O-Matic Price List for Adapter Kits to combine ice makers with most available ice/beverage dispensers.*



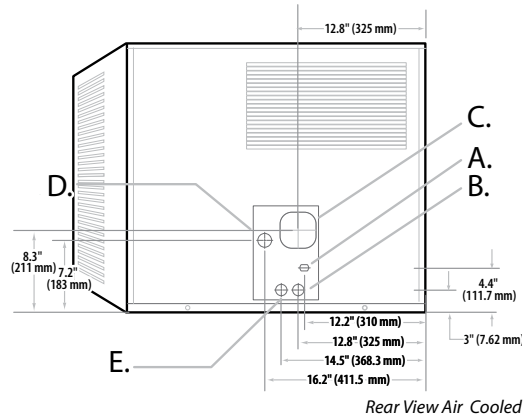
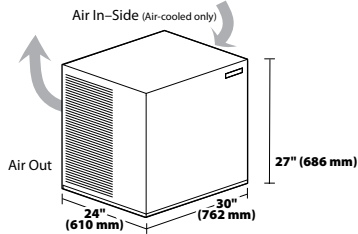
Ice-O-Matic®

GEM1256 Pearl Ice® Maker

Air/ Water Cooled

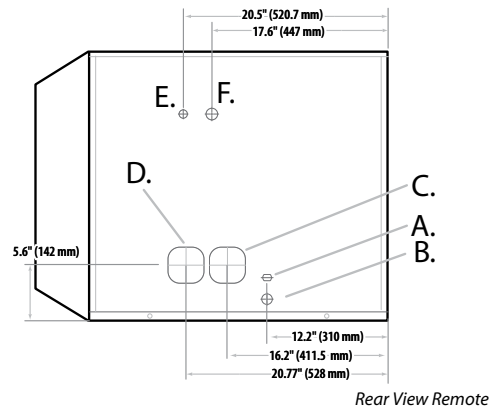
Please note: air-cooled units require 6" (152 mm) clearance for air intake and exhaust.

- A. Ice maker potable water in, 3/8" flare.
- B. Ice maker water out, 3/4" FPT.
- C. Electrical inlet.
- D. Condenser water in, 3/8" (water cooled only).
- E. Condenser water out, 1/2" (water cooled only).



Remote Cooled

- A. Ice maker water in, 3/8" flare.
- B. Ice maker water out, 3/4" FPT.
- C. Electrical inlet.
- D. Condenser water in, 3/8".
- E. Condenser water out, 1/2".
- F. Liquid line, 3/8" male coupling for precharged line set (remote only).
- G. Discharge line, 1/2" male coupling for precharged line set (remote only).
- H. Remote condenser junction box (remote only).



Operating Requirements

	Minimum	Maximum
Ambient Temp. Range Air	50°F (10°C)	100°F (38°C)
Water Temp.	40°F (4.4°C)	100°F (38°C)
Water Pressure	20 PSIG (1.4 BAR)	120 PSIG (8.3 BAR)
Remote Cond. Temps	-20°F (-7°C)	120°F (50°C)

Dimensions

All Models	
W x D x H (inches)	30 x 24 x 27
W x D x H (mm)	762 x 610 x 686

Specifications

Model Number	Cond. Unit	Ice Production per 24hrs		Water Usage gallons per 100 lbs of Ice 90°F air/70°F water		kWH Used per 100 lbs of ice @ 90°F air/70°F water	Voltage Characteristics	Min. Circuit Ampacity	Fuse Size	Approx. BTUs per hour
		70°F air/50°F water lbs (kg)	90°F air/70°F water lbs (kg)	Potable	Condenser					
GEM1256A	Air	1,120 (508)	945 (429)	12.0	-	3.7	208-230/60/1	15.0	20	12,000
GEM1256W	Water	1,345 (610)	1,110 (503)	12.0	92.5	3.2	208-230/60/1	14.3	20	12,000
GEM1256R	Remote	1,110 (503)	1,005 (456)	12.0	-	3.6	208-230/60/1	17.3	25	12,000

*Requires Remote GRC2061 Condenser

NOTES:

Number of Wires: 3 (including ground)
 Approx. Shipping Weight lbs (kg): GEM1256A 270 (122) • GEM1256W 255 (116) • GEM1256R 270 (122)
 Refrigerant Type: R404A

11100 E. 45th Avenue
Denver, CO 80239

Phone: 1. 866. PURE. ICE
 Fax: 303. 371. 6296
www.iceomatic.com

Rev: A-11/08
 Part: 7003