

WARING® COMMERCIAL PANINI GRILLS

WARING
COMMERCIAL

Features

- Ribbed cast-iron plates
- Brushed stainless steel body and removable drip tray
- Hinged, auto-balancing top plate to suit foods up to 3" thick
- Adjustable thermostat to 570°F
- Power & ready indicator lights
- Heat-resistant handles
- Limited One Year Warranty

Italian-Style Panini Grills

WPG150/WPG250/WPG300





Italian-Style Panini Grills

WPG150/WPG250/WPG300

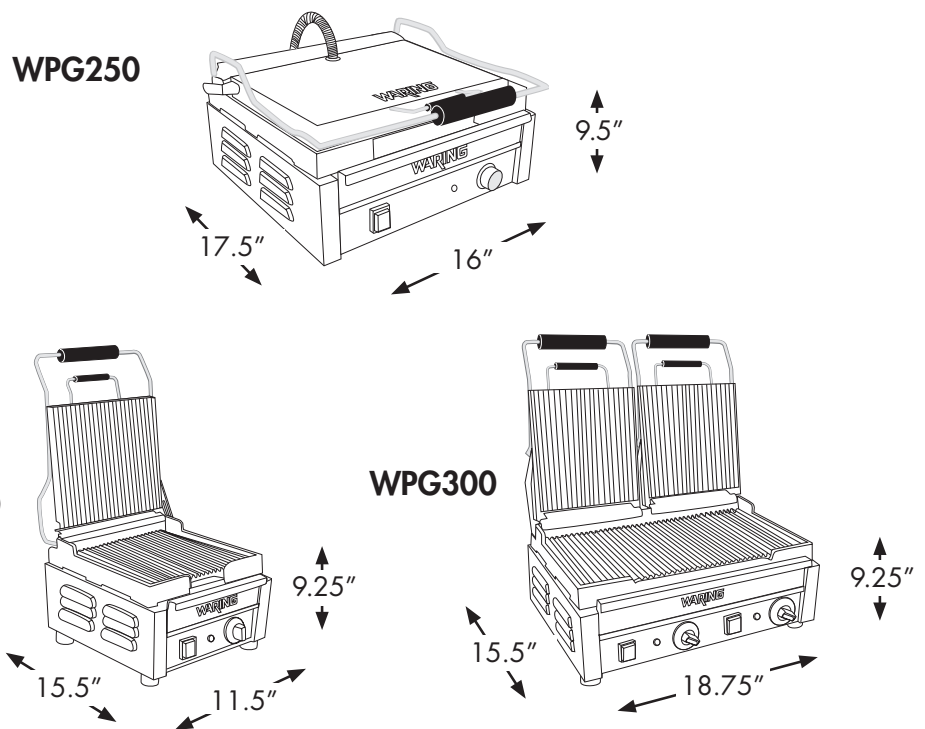


Specifications

Item	Electrical	Listings	Dimensions (H" x W" x D")	Warranty
WPG150	120 Volt, 15A	UL, NSF	9.25" x 15.5" x 11.5"	Limited 1 Year
WPG250	120 Volt, 15A	UL, NSF	9.5" x 17.5" x 16"	Limited 1 Year
WPG300	240 Volt, 13A	UL, NSF	9.25" x 15.5" x 18.75"	Limited 1 Year

Ordering Information

Description	Catalog #	Std Pkg.	Ship Wt. (Lbs.)	Cubic Feet	UPC Code
Panini Perfetto™ Compact Panini Grill	WPG150	1	44 lbs.	2.4	040072006136
Panini Supremo™ Large Panini Grill	WPG250	1	64 lbs.	3.7	040072006128
Panini Ottimo™ Dual Panini Grill	WPG300	1	84 lbs.	3.8	040072006111



Waring Commercial • 314 Ella T. Grasso Ave. • Torrington • Connecticut 06790
 Tel. (800) 492-7464 • Fax (860) 496-9008 • www.waringproducts.com • ©2006

06WC30111