



air-o-steam® Electric Combi Oven 101

ITEM # _____
 MODEL # _____
 PROJECT NAME # _____
 SIS # _____
 AIA # _____



* Base not included

air-o-steam® Electric Combi Oven 101

- 267082 (AOS101EAM1) Electric Combi Oven 101 – 208 V/3p/60Hz - 47.5A
- 267092 (AOS101EAB1) Electric Combi Oven 101 – 240 V/3p/60Hz - 41A

Short Form Specification

Item No. _____

Unit to be Electrolux air-o-steam® Combi Oven AOS101E. The air-o-steam® features three cooking modes – Steam (77 °F-266 °F), Hot convected air (77 °F-572 °F) and Combi-mode (77 °F-482 °F). Each cooking mode operates under Lambda-sensor driven air-o-clima™: automatic and constant real humidity control. 6 point multi sensor for core temperature controlled cooking cycles. Pre-programmed low temperature cooking cycle (LTC) and programmable memory (up to 100, 7-step programs available), 20 factory pre-set cooking programs included. Large LED display for both set and actual values of humidity and temperature in cooking chamber during cooking. All 304 Stainless-steel construction, seamless hygienic cooking chamber with all rounded corners. Double thermo-glazed door with open frame construction for cool outside door panel. Halogen cooking chamber lighting. IPX-5 (NEMA 4) spray water protection certification. Retractable spray hose included as standard.

Air-o-clean, automatic and built-in self-cleaning system.

EKIS, pc-controlled HACCP monitoring software package available at additional cost.

Half day chef training included.

Covered by Electrolux Platinum Star™ Service Program two-year parts and one-year labor warranty, installation start-up and performance check-up after one year from installation.



Main features

- Dry, hot convection cycle (77 °F to 572 °F): ideal for low humidity baking.
- Low temperature Steam cycle (77 °F to 211 °F): ideal for sous-vide (vacuum packed) re-thermalization and delicate cooking.
- Steam cycle (212 °F): seafood and vegetables.
- High temperature steam (213 ° F to 266 ° F).
- Combination cycle (77 °F to 482 °F): combining convected heat and steam to obtain humidity controlled cooking environment, accelerating the cooking process and reducing weight loss.
- Pre-programmed re-thermalization cycles for banqueting applications.
- **Air-o-clima™**: Lambda sensor controlled automatic humidity adjustment of cooking environment.
- 6-point multi sensor core temperature probe.
- Pre-programmed Low Temperature Cooking cycle (LTC): minimizes weight loss, maximizes food quality for large pieces of meat.
- Cook&Hold cycle.
- Variable fan speed. Radial fan.
- Reduced power cycle.
- 20 pre-set cooking programs in memory for most popular cooking items.
- 100 program locations in on-board memory, up to 7 cooking steps each.
- **Air-o-clean**: built-in and automatic self-cleaning system.
- Electrolux Platinum Star™ service package included:
 - 2-year parts, 1-year labor warranty.
 - Start-up install check.
 - Equipment check-up after 12 month from installation.
 - Half day Chef training session.

Construction

- IPX 5 (NEMA 4) splash water protection certification for easy cleaning.
- All 304 Stainless steel construction.
- Seamless hygienic cooking chamber with all rounded corners for easy cleaning.
- Double thermo-glazed door with open frame construction, for cool outside door panel.
- Swing hinged easy-release inner glass on door for easy cleaning.
- Swing hinged front panel for easy service access to main components.
- Integrated spray hose included.

Included Accessories

- 5 of 304 Stainless steel grids PNC 922062

Optional Accessories

- 1 of Rack Cassette (10 racks) PNC 922006
- Open base stand PNC 922051
- Trolley for Rack Cassette PNC 922004
- Roll-in rack support PNC 922074
- Increased pitch rack cassette (8 racks) PNC 922009
- 29 or 23 plate rack PNC 922015/71
- 4 castors (2 with brake) PNC 922057
- Thermal blanket for banqueting rack PNC 922013
- Pair of chicken racks (8 chickens per rack) PNC 922036
- Non-stick universal pans PNC 922090-2
- Combi oven grill PNC 922093
- Fat Filters PNC 922178
- Frying griddle PNC 922215
- Stacking kit 61 on top of 61 or 101 electric PNC 922217
- Pair of frying baskets PNC 922239
- Heat shield for 101 PNC 922251

Approval: _____

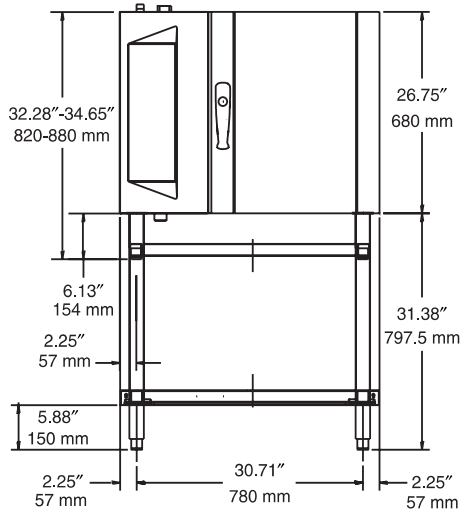
Electrolux Professional, Inc.
www.electroluxusa.com/professional

3225 SW 42nd Street, Fort Lauderdale, Florida, 33312 • Telephone Number: 866-449-4200 • Fax Number: 954-327-6789

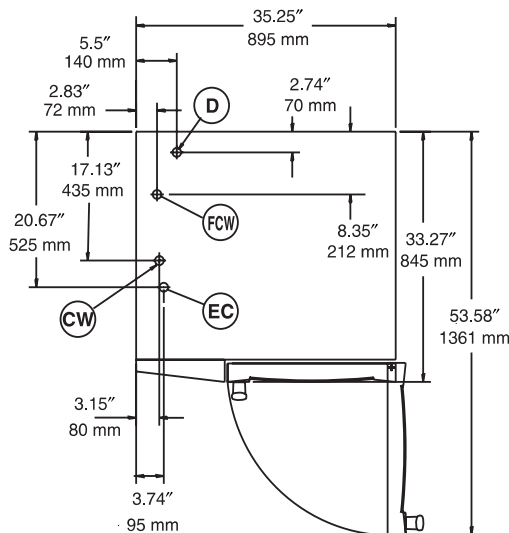


air-o-steam®
Electric Combi Oven 101

Front View

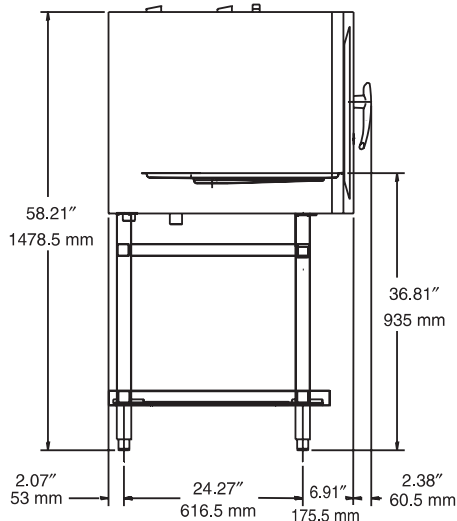


Top View



- EC** = Electrical connection
- D** = Water drain
- CW** = Cold Water inlet
- FCW** = Filtered Cold Water inlet

Side View



Electric

Supply voltage:

267082 (AOS101EAM1) 208 V/3p/60Hz - 47.5A

267092 (AOS101EAB1) 240 V/3p/60Hz - 41A

Connected load:

17 kW

Circuit breaker required

Water

Water inlet "CW" – 3/4" connection:

Unfiltered drinking water

Water inlet "FCW" - 3/4" connection:

Total hardness: 5-50 ppm

Pressure: 22-36 psi (150-250 kPa)

Drain "D"

1-1/4" connection

Electrolux recommends the use of treated water, based on testing of specific water conditions.

Please refer to user manual for detailed water quality information.

Installation

Clearance:

2" (5 cm) rear and right hand sides.

Suggested clearance

for service access:

20" (50 cm) left hand side.

Capacity

Steam pans:

10 – 12" x 20"

Half size sheet pans:

10 – 13" x 18"

GN:

10 – 1/1 containers

Max load capacity:

110 lbs. (50 kg)

Key Information

Net weight:

320 lbs. (145 kg)

Shipping weight:

337 lbs. (153 kg)

Shipping width:

37-5/8" (955 mm)

Shipping height:

52-3/16" (1325 mm)

Shipping depth:

38-3/4" (985 mm)

Shipping Volume:

44.14 cu. ft. (1.25 m³)