



# Pasta Station 2-Zone Induction Cooktop

ITEM # \_\_\_\_\_

MODEL # \_\_\_\_\_

PROJECT NAME # \_\_\_\_\_

SIS # \_\_\_\_\_

AIA # \_\_\_\_\_



### Pasta Station 2-Zone Induction Cooktop

168233 (7INTE1U)

2-Zone Induction Cooktop  
208 V/3p/60z - 31A

### Short Form Specification

Item No. \_\_\_\_\_

Unit to be Electrolux 2-Zone Induction Cooktop. 2 induction cooking zones: 9" Diameter, 3.2 kW each. Cooking surface in 1/4" thick Ceramic glass sealed flush with 304 Stainless steel encasing. 9-position energy regulator. Hi-limit heat protection. IPX 4 splash water protection (NEMA 4). The unit to be completely in AISI 304 Stainless steel.

Covered by Electrolux Platinum Star™ Service Program two-year parts and one-year labor warranty, installation start-up and performance check-up after one year from installation.

### Main features

- 2-cooking zones: 9" Diameter..
- 3.2 kW Induction cooking power each zone.
- 90% thermal efficiency.
- Hi-limit heat protection.
- Automatic stand-by when no pan is on cooking surface
- 9-position energy regulator.

### Construction

- 1/4" (6 mm) thick Ceramic Glass cooking surface.
- Ceramic Glass cooking surface sealed flush with Stainless steel encasing.
- Easy access to filter for cleaning (no tools required).
- All 21 gauge 304 Stainless steel construction.
- IPX 4 splash water protection (NEMA 4).



Approval: \_\_\_\_\_

**Electrolux Professional, Inc.**

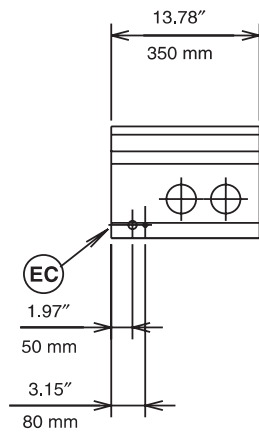
[www.electroluxusa.com/professional](http://www.electroluxusa.com/professional)

3225 SW 42nd Street, Fort Lauderdale, Florida, 33312 • Telephone Number: 866-449-4200 • Fax Number: 954-327-6789

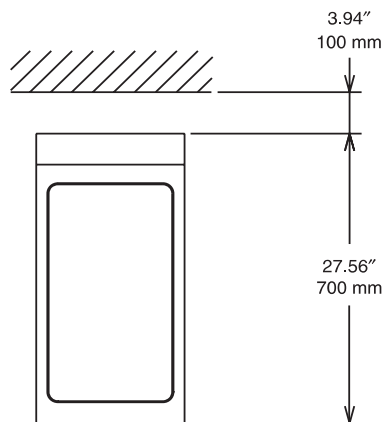


Pasta Station  
2-Zone Induction Cooktop

### Front View

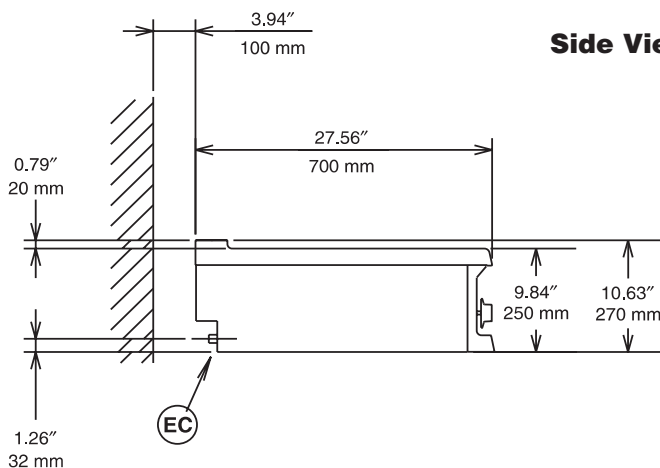


### Top View



EC = Electrical connection

### Side View



### Electric

#### Supply voltage:

168233 (7INTE1U)

208 V/3p/60Hz - 31A

#### Connected load:

6.4 kW

#### Circuit breaker required:

### Installation

#### Clearance:

4" (10 cm) from back.

### Capacity

2 x 9" Diameter Cooking-Zones

2 x 3.2 kW Cooking-Zones

### Key Information

#### Net weight:

57 lbs. (26 kg)

#### Shipping weight:

71 lbs. (32 kg)

#### Shipping width:

31.5" (800 mm)

#### Shipping height:

19.7" (500 mm)

#### Shipping depth:

16.6" (420 mm)

#### Shipping Volume:

6 cu. ft. (0.17 m<sup>3</sup>)