

robot coupe®

CL52

Commercial Food Processor

Continuous Feed Vegetable Prep Machine



**Prepare 1500 plus servings
in 3 hours or less**

Continuous feed unit with two hoppers in single head designed for quality, continuous feed slicing, dicing, shredding, grating, french fry and julienne. Accommodates 34 different processing plates.



- Stainless steel motor base unit for long life and easy cleaning.
- All metal vegetable preparation unit.
- Two hoppers in one head - One large full-moon hopper for cutting large products, will accommodate whole heads of cabbage, lettuce. One round hopper for cutting long vegetables and delicate cutting i.e. tomatoes, carrots.
- Removable wall for superior cutting results - highly recommended for potatoes and tomato slices.
- Patented magnetic safety system stops motor as soon as larger hopper is opened preventing access to cutting parts while machine is operating.
- 34 different cast-aluminum processing plates with stainless steel cutting blades available. Two processing plates packed as standard. Widest range of dicing grid sizes available.
- Cast-aluminum plates with stainless steel cutting blades.
- Attractive, compact design. Uses 14 1/2" x 12 7/16" of counter space.
- 1 year parts and labor warranty.

Robot Coupe U.S.A., Inc.

P.O. Box 16625
Jackson, MS 39236-6625
1-800-824-1646 • (601) 898-8411
FAX: (601) 898-9134

www.robotcoupeusa.com • e-mail: robocoup@misnet.com

SPECIFICATIONS ON REVERSE SIDE

Specifications

STANDARD PACK: Stainless steel motor base unit with permanent continuous feed attachment with two hoppers and removable wall in single head. Comes with two plates - one 1/8" (3mm) slicing plate and one 1/8" (3mm) grating plate.

ELECTRICAL REQUIREMENTS: 120V, 60Hz, 13.5 Amps, single phase. Contact your local electrician for local code requirements.

MOTOR: 3/4 HP, 470 RPM.

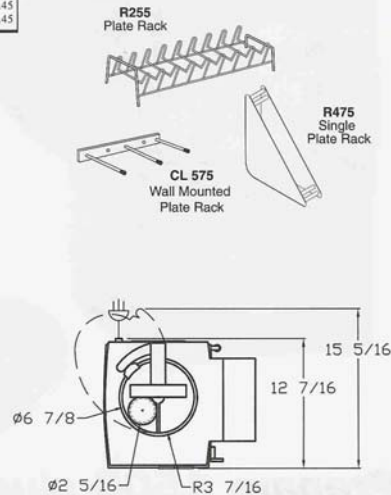
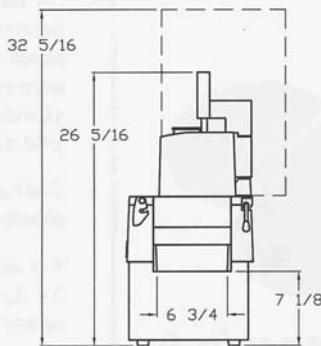
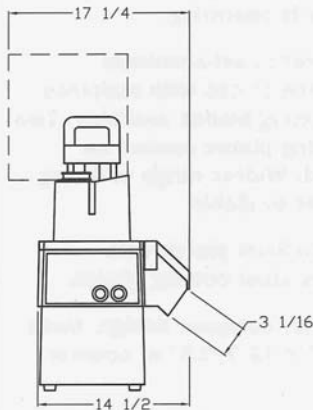
WEIGHT: 56 lbs. net, 59 lbs. approximate shipping weight.

STANDARDS: ETL-Sanitation, ETL-Electrical, CETL-Canadian.

PROCESSING PLATES

ITEM	DESCRIPTION	PRICE
Series "D" Plates		
28110	5x5mm (3/16") Dicing Kit	330.80
28111	8x8mm (5/16") Dicing Kit	315.60
28112	10x10mm (3/8") Dicing Kit	315.60
28113	14x14mm (9/16") Dicing Kit	315.60
28114	20x20mm (13/16") Dicing Kit	315.60
28115	25x25mm (1") Dicing Kit	315.60
28117	5mm (3/16") Dicing Grid Only	196.50
28118	8mm (5/16") Dicing Grid Only	181.30
28119	10mm (3/8") Dicing Grid Only	181.30
28120	14mm (9/16") Dicing Grid Only	181.30
28121	20mm (13/16") Dicing Grid Only	181.30
28122	25mm (1") Dicing Grid Only	181.30
28128	5mm (3/16") Slicing Plate	154.90
28129	8mm (5/16") Slicing Plate	154.90
28130	10mm (3/8") Slicing Plate	154.90
28131	14mm (9/16") Slicing Plate	154.90
28132	20mm (13/16") Slicing Plate	154.90
28133	25mm (1") Slicing Plate	154.90
28134	8x8mm (5/16") French Fry Set	268.30
28135	10x10mm (3/8") French Fry Set	268.30
Not for Use on CL55 or CL60		
C481PF	8mm (5/16") Straight French Fry Plate (2 plates)	327.45
C480PF	10mm (3/8") Straight French Fry Plate (2 plates)	327.45
C423D	5x5 (3/16") Dicing Grid (Requires C435A or C436A)	145.15
C425D	8x8 (5/16") Dicing Grid (Requires C435A or C436A)	145.15
C426D	10x10 (3/8") Dicing Grid (Requires C435A or C436A)	145.15
C427D	14x14 (9/16") Dicing Grid (Requires C435A, C436A, or C438A)	145.15
C428D	20x20 (13/16") Dicing Grid (Requires C435, C436, or C438A)	145.15
List For CL55 & CL60 Only		
C625D	8x8 (5/16") Dicing Grid (Requires C435A or C436A)	145.15
C626D	10x10 (3/8") Dicing Grid (Requires C435A or C436A)	145.15
C627D	14x14 (9/16") Dicing Grid (Requires C435A, C436A, or C438A)	145.15
C628D	20x20 (13/16") Dicing Grid (Requires C435, C436, or C438A)	145.15
CL60 ONLY (2 Plate Combo)		
CL691PF	8x8mm (5/16") Straight French Fry Plate	327.45
CL692PF	10x10mm (3/8") Straight French Fry Plate	327.45

ITEM	DESCRIPTION	PRICE
R475	Single Plate Rack	12.50
R255	Countertop Plate Rack	9.90
CL575	Wall Mount Stainless Steel Plate Rack	77.30
C4445A	1mm (1/32") Slicing Plate	154.90
C4455A	2mm (5/64") Slicing Plate	154.90
C4465A	3mm (1/8") Slicing Plate	154.90
C4775A	4mm (5/32") Slicing Plate	154.90
C4375A	5mm (3/16") Slicing Plate	154.90
C4365A	8mm (5/16") Slicing Plate	154.90
C4355A	10mm (3/8") Slicing Plate	154.90
C4345A	14mm (9/16") Slicing Plate	154.90
C445W	2mm (5/64") Waved Slicing Plate	166.85
C446W	3mm (1/8") Waved Slicing Plate	166.85
C464W	6mm (1/4") Waved Slicing Plate	166.85
C495GPA	1mm (1/32") Pulping Plate	202.90
C452GPA	Hard Cheese Grating Plate	154.90
C494GPA	1.5mm (1/16") Extra Fine Grating Plate	154.90
C451GPA	2mm (5/64") Fine Grating Plate	154.90
C450GPA	3mm (1/8") Medium Grating Plate	154.90
C475GPA	4mm (5/32") Medium Grating Plate	154.90
C453GPA	5mm (3/16") Medium Coarse Grating Plate	154.90
C478GPA	7mm (9/32") Coarse Grating Plate	154.90
C433GPA	9mm (3/8") Extra Coarse Grating Plate	154.90
C460JA	2mm (5/64") Julienne Plate	162.35
C483JA	2x4mm (5/64"x1/4") Julienne Plate	162.35
C462JA	4x4mm (5/32") Julienne Plate	162.35
C484JA	2x6mm (5/64"x1/4") Julienne Plate	162.35
C438JA	6x6mm (1/4") Julienne Plate	162.35
C486JA	2x8mm (5/64"x5/16") Julienne Plate	162.35
C466JA	8x8mm (5/16") Julienne Plate	162.35



Robot Coupe U.S.A., Inc.
 P.O. Box 16625
 Jackson, MS 39236-6625
 1-800-824-1646
 (601) 898-8411
 FAX: (601) 898-9134
 www.robotcoupeusa.com
 e-mail: robocoup@misnet.com

Distributed by:

Robot Coupe reserves the right to change specifications. Call the factory for latest specifications and recommendations.
 © 2002 Robot Coupe U.S.A., Inc. Litho in U.S.A. 17RCC-597-PT