

Item No. _____

Quantity _____



BEVERAGE-AIR

COMMERCIAL REFRIGERATION EQUIPMENT

GENERAL SPECIFICATIONS

TOP MOUNTED REACH-IN REFRIGERATORS

E-Series

MODELS:

- ER24
- ER34
- ER48
- ER74

CONSTRUCTION:

Heavy duty construction includes stainless front (doors and grilles) with #3 finish. Exterior sides are steel with gray, acrylic finish. Exterior top, back, and bottom are galvanize steel. Exterior mounted thermometer is digital type. Interior cabinet liner is anodized aluminum finish. Interior pilasters are "regular" type. Interior shelves are steel wire-coated.

Cabinets are insulated with R22 foamed-in-place polyurethane insulation, 2" minimum thickness. All doors are "full size" unless specified "half size" and include keyed door locks as standard with solid doors. Doors attach to cabinet on cam lift hinges. Hinges permit doors to stay open at 120 degrees and gravity self-close. A plug-in type, vinyl magnetic gasket is attached to each door. Shelves are adjustable on 1/2" centers. Traffic tough work flow handle is standard. Door openings include low wattage, anti-condensate heaters. A switch located at the top of each full door opening activates light and shuts off evaporator fan motor(s) when door is opened. Six inch, adjustable, corrosion resistant legs are standard. A 9' cord is provided with 115-60-1 models.

REFRIGERATION

Unit's system is located at top of cabinet. A capillary tube is used to meter R134A refrigerant between condenser and high humidity, coated evaporator coil. Temperature control is located behind front grill. Hot gas (non-electrical) condensate evaporator is located at top of cabinet.

AIR DISTRIBUTION:

Beverage-Air's unique down-duct air distribution provides the ideal environment for food preservation. Refrigerated air is discharged from an insulated evaporator coil compartment located above the interior top of cabinet into a distribution plenum. From the plenum, air is discharged down both sidewalls one half way back. In two section models, 3-way air discharge is accomplished with an additional down duct located on the center back wall from the discharge plenum for the floor. In three section models, 4-way air discharge is accomplished with two additional down ducts located on the back wall. Air is returned upward across the full width of the interior into a louvered plenum assuring even temperatures throughout the cabinet.



Choose energy-efficient products with the ENERGY STAR® label. It's an easy way to protect the environment while also saving money.



Made in USA
<http://www.Beverage-Air.com>
<http://www.CCR.Carrier.com>



PO Box 5932, Spartanburg, SC 29304
 1-800-845-9800 Fax No. 1-864-582-5083

Model Specified _____ Project # _____

Location _____ Quantity _____



BEVERAGE-AIR

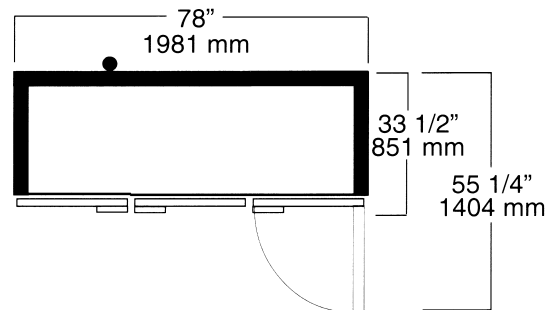
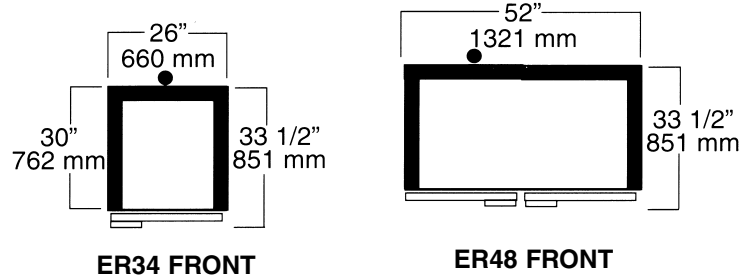
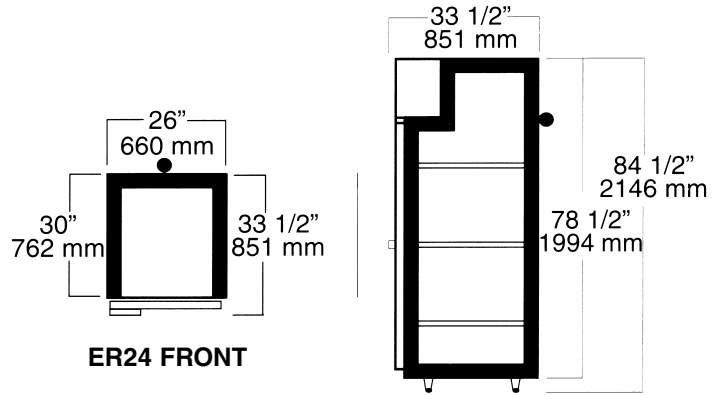
Reach-In Refrigerators

MODELS: ER24, ER34, ER48, ER74

DIMENSIONS

SPECIFICATIONS

MODEL	ER24	ER34	ER48	ER74
DIMENSIONAL DATA				
Net Capacity (cubic ft.)	23.1	34	46.6	74
Net Capacity (liters)	654	963	1319	2095
Width (inches)	26"	35"	52"	78"
Width (mm)	660	889	1320	1981
Depth (inches) - Less Handle	30"	33 1/2"	30"	30"
Depth (mm) - Less Handle	762	851	762	762
Height (inches) on 3" casters	84 1/2"	84 1/2"	84 1/2"	84 1/2"
Height (mm)	2146	2146	2146	2146
Number of sections	1	1	2	3
Number of shelves	3	3	6	9
ELECTRICAL DATA				
Volts	115	115	115	115
Amps	5.7	5.7	9.4	10.6
REFRIG. DATA				
Refrigerant	R134A	R134A	R134A	R134A
Horsepower	1/4	1/3	1/3	1/2
WEIGHT DATA				
Gross Weight (Crated lbs)	351 lbs	351 lbs	562 lbs	791
Gross Weight (Crated kg)	159	159	255	359



Clear Full Door Opening 21 9/16"W x 61 9/16"H
Clear Half Door Opening 21 9/16"W x 29 1/2"H

ER74 FRONT



Available From:



BEVERAGE-AIR

PO Box 5932 • Spartanburg, SC • 29304 • USA
1-800-845-9800 • Fax No. 1-864-582-5083
www.Beverage-Air.com
www.CCR.Carrier.com