

# CDD4 Curved Dry Display

A Non-Refrigerated Food Products Merchandiser

---



MODEL CDD4

## FEATURES

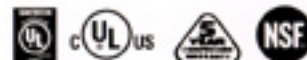
---

- DRY DISPLAY (NON-REFRIGERATED) MERCHANDISER
- CURVED, TEMPERED, SINGLE-PANE GLASS FRONT
- FOAMED-IN-PLACE URETHANE INSULATION
- LOW VELOCITY INTERIOR FAN
- SELF-CLOSING SLIDING GLASS DOORS AT REAR OF CABINET
- STAINLESS STEEL TOP
- DOOR LOCK STANDARD



**BEVERAGE-AIR.**  
a Specialty Equipment company

# SPECIFICATIONS

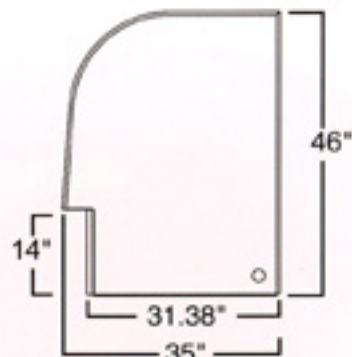


MODEL	DOORS	CRATED WEIGHT	OVERALL EXTERIOR DIMENSIONS			OVERALL EXTERIOR DIMENSIONS (METRIC)			SHELVES	VOLTS	AMPS	H.P.	CU.FT.
			W	D	H	W	D	H					
CDD4	2	543 lbs.	49"	35"	46"	1245mm	890mm	1168mm	2+DECK	115V	1.8	N/A	18.1

## DIMENSIONS



**CDD4  
FRONT VIEW**



**CDD4  
END VIEW**

## FEATURES

- Brightly illuminated display area
- Fluorescent canopy light, Plus two lights suspended from front shelves
- Two tiers of epoxy coated shelves
- Optional third shelf with light available
- Stainless steel exterior top, 14 inches deep
- Stainless steel interior deck
- Load leveler legs standard
- Unit supplied with six foot (6'), 115 volt cord and plug

**AVAILABLE FROM:**

CALL TOLL-FREE 1-800-845-9800 OR FAX ORDERS TO 1-800-253-5168

## BEVERAGE-AIR®

SALES OFFICE: P.O. Box 5932, SPARTANBURG, SOUTH CAROLINA, USA 29304  
 PHONE 864-582-8111 FAX NO. 864-582-5083  
 PLANTS: SPARTANBURG, SOUTH CAROLINA, USA  
 BROOKVILLE, PENNSYLVANIA, USA  
 HONEA PATH, SOUTH CAROLINA, USA

Specifications subject to change without notice.  
 Manufactured under one or more of the following U.S. patents: 4416122,  
 4738042, 4977754, D-305672, 821128, 843195, 167575, 1495995, D-350245,  
 D363398, Des.377,800. Other patents pending.

TECHNICAL SERVICES: PHONE 1-800-684-1199 FAX 1-800-252-9381  
[www.Beverage-Air.com](http://www.Beverage-Air.com)  
 MADE IN USA