



BEVERAGE-AIR

Pass-Thru Display **BARPD** deli cases



CONSTRUCTION

- Base is a modular 16 ga. Pedestal construction
- ABS plastic filled with polyurethane foam
- ABS plastic front cover - no bumper guard required
- Double pane, tempered, low-emissivity flat glass sides
- Stainless steel interior, including shelves and standards, except for interior walls, which consist of ABS molded plastic
- Self-closing, one-way mirror sliding rear doors
- 115 volt "plug and play" operation
- Stainless steel top

FINISH

- Metal parts are finished with high quality powder coat paint
- Sides are constructed of ABS plastic
(choice of white or black - contact factory for availability)
- Stainless steel interior parts

REFRIGERATION

- Refrigerant R404a
- Microprocessor control system
- Self-contained refrigeration system
- Temperature range 32° to 60°F*
- Forced air evaporator for even temperatures throughout cabinet
- Moving evaporator fans ensure high humidity levels within cabinet, preventing dehydration

*Optimum operation conditions - 75°F/55% R.H.

WARRANTY

- 5 Year Compressor Warranty
- 1 Year Limited Parts Warranty

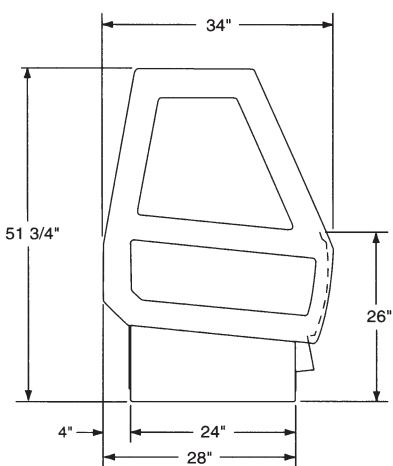


BARPD

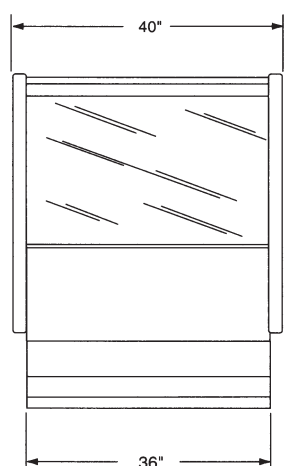
PART NUMBER	MODEL	DESCRIPTION	LENGTH	DEPTH w/ENDS	HEIGHT w/ENDS	VOLTS	AMPS	SHIP WEIGHT
52-1030-01	BARPD3	3' Refrigerator Deli	40"	34"	52"	115	11.0	443
52-1030-02	BARPD4	4' Refrigerator Deli	52"	34"	52"	115	11.0	506

MODEL	CU. FT. CAPACITY	REFRIGERANT CHARGE (404A, oz.)	KW - HR 24 HR	BTUH	METRIC
BARPD3	10.8	16 oz.	8	1140 BTU/HR	1016 x 864 x 1315
BARPD4	14.4	20 oz.	11	1570 BTU/HR	1321 x 864 x 1315

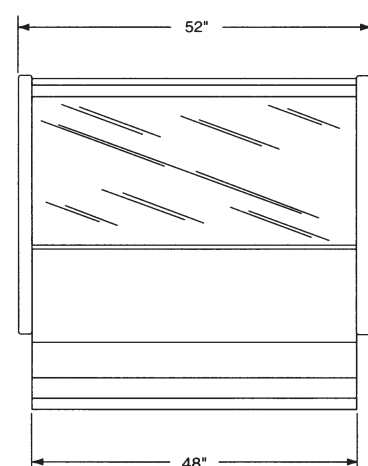
DIMENSIONS



COMMON END VIEW



BARPD3 - Rear view



BARPD4 - Rear view

The unit construction shall consist of a 16 ga. Modular Pedestal base fabrication in combination with ABS plastic, foamed-in-place polyurethane sides trimmed in black vinyl. The unit will be supplied with 2 stainless steel display shelves and stainless steel top. Also supplied are self-closing, one-way mirror sliding rear doors. Double pane, tempered, low emissivity curved glass will be supplied with the unit.

ELECTRICAL CONNECTIONS

BARPD3 and BARPD4 both utilize 9 foot long, flexible black 3 wire, 14/3 SJT cord with black molded NEMA 5-15p plug.

