



BEVERAGE-AIR

Flat Glass Horizontal **BAOHM** open air merchandisers



CONSTRUCTION

- Base is a modular 16 ga. Pedestal construction
- ABS plastic filled with polyurethane foam
- ABS plastic front cover - no bumper guard required
- 1/2" flat glass sides for merchandising area
- Removable stainless steel Triple Tier display step shelf
- 115 volt "plug and play" operation
- Stainless steel top

FINISH

- Metal parts are finished with high quality powder coat paint
- Sides are constructed of ABS plastic
(choice of white or black - contact factory for availability)
- Stainless steel interior parts

REFRIGERATION

- Refrigerant R404a
 - Microprocessor control system
 - Full coverage air flow across merchandise
 - Self-contained refrigeration system
 - Temperature range 35° to 55°F*
 - Front air intake/rear discharge for complete condenser cooling
- *Optimum operation conditions - 75°F/55% R.H.

WARRANTY

- Standard 5 Year Limited Compressor Warranty
- 1 Year Limited Parts Warranty

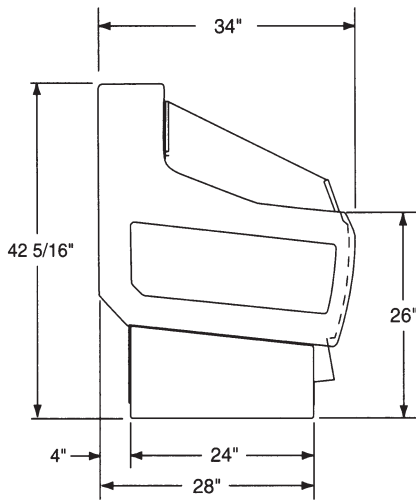


BAOHM

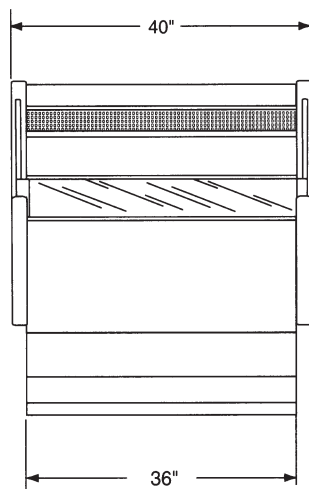
PART NUMBER	MODEL	DESCRIPTION	LENGTH	DEPTH w/ENDS	HEIGHT w/ENDS	VOLTS	AMPS	SHIP WEIGHT
52-1036-01	BAOHM3	3' Medium Temperature	40"	34"	42 5/16"	115	10.0	423
52-1036-02	BAOHM4	4' Medium Temperature	52"	34"	42 5/16"	115	10.0	505

MODEL	SHELF AREA	REFRIGERANT CHARGE (404A, oz.)	RUN AMPS	KW - HR	BTUH	METRIC
BAOHM3	*	*	*	*	*	1016 x 864 x 1075
BAOHM4	*	*	*	*	*	1321 x 864 x 1075

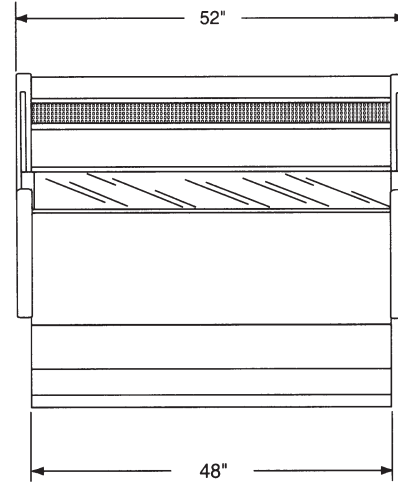
DIMENSIONS



COMMON END VIEW



BAOHM3 - Rear View



BAOHM4 - Rear View

The unit construction shall consist of a 16 ga. Modular Pedestal base fabrication in combination with ABS plastic, foamed-in-place polyurethane sides trimmed in black vinyl. The unit will be supplied with 3-level stainless steel display shelf and stainless steel top. Refrigeration control shall be microprocessor based, with temperature range of 35 to 55 degrees Fahrenheit.

ELECTRICAL CONNECTIONS

BAOHM3 and BAOHM4 both utilize 9 foot long, flexible black 3 wire, 14/3 SJT cord with black molded NEMA 5-15p plug.

