



BEVERAGE-AIR

Flat Glass Frozen Product **BAFPD** display cases



CONSTRUCTION

- Base is a modular 16 ga. Pedestal construction
- ABS plastic filled with polyurethane foam
- ABS plastic front cover - no bumper guard required
- Heated triple pane flat, tempered glass
- Stainless steel interior, including shelves and standards, except for interior walls, which consist of ABS molded plastic
- 115 volt "plug and play" operation
- Stainless steel top

FINISH

- Metal parts are finished with high quality powder coat paint
- Sides are constructed of ABS plastic (choice of white or black - contact factory for availability)
- Stainless steel interior parts

REFRIGERATION

- Refrigerant R404a
- Microprocessor control system
- Self-contained refrigeration system
- Temperature range 0° to -15°F*
- Forced air evaporator for even temperatures throughout the cabinet
- All fin tube condenser
- Optimum operation conditions - 75°F/55% R.H.

WARRANTY

- 5 Year Compressor Warranty
- 1 Year Limited Parts Warranty

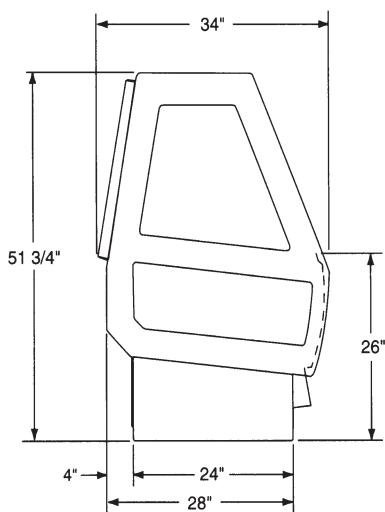


BAFPD

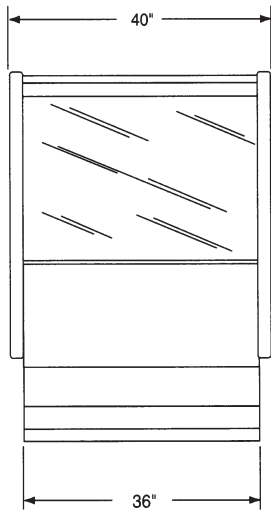
PART NUMBER	MODEL	DESCRIPTION	LENGTH	DEPTH w/ENDS	HEIGHT w/ENDS	VOLTS	AMPS	SHIP WEIGHT
52-1034-01	BAFPD3	3' Freezer	40"	34"	52"	115	11.7	505
52-1034-02	BAFPD4	4' Freezer	52"	34"	52"	115	11.7	580

MODEL	CU. FT. CAPACITY	REFRIGERANT CHARGE (404A, oz.)	RUN AMPS	DEFROST AMPS	KW - HR 24 HR	BTUH	METRIC
BAFPD3	10.8	14 oz.	11.7	8	23	3250 BTU/HR	1016 x 864 x 1315
BAFPD4	14.4	16 oz.	11.7	12	30	4270 BTU/HR	1321 x 864 x 1315

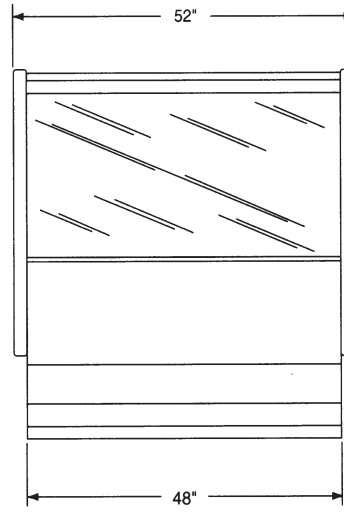
DIMENSIONS



COMMON END VIEW



BAFPD3 - Rear View



BAFPD4 - Rear View

The unit construction shall consist of a 16 ga. Modular Pedestal base fabrication in combination with ABS plastic, foamed-in-place polyurethane sides trimmed in black vinyl. The unit will be supplied with 2 stainless steel display shelves and stainless steel top. Triple pane tempered glass will be supplied with the unit.

ELECTRICAL CONNECTIONS

BAFPD3 and BAFP4 both utilize 9 foot long, flexible black 3 wire, 14/3 SJT cord with black molded NEMA 5-20p plug.

